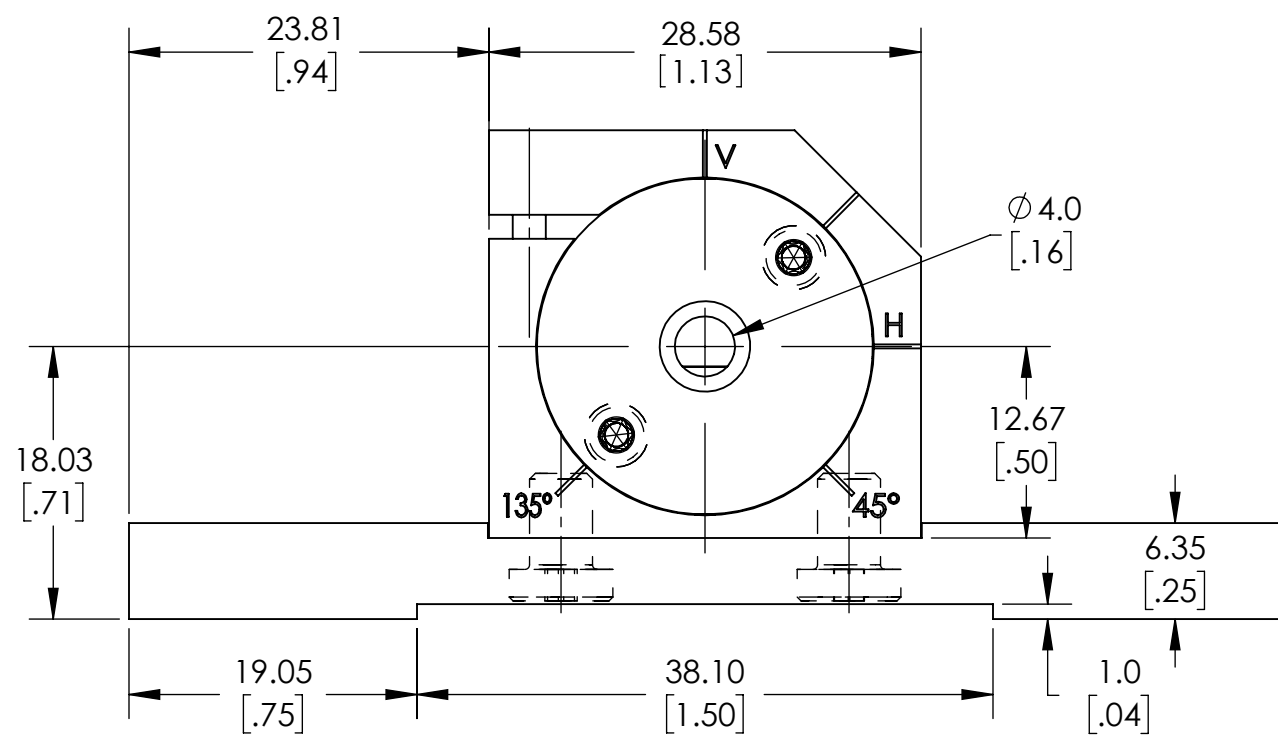
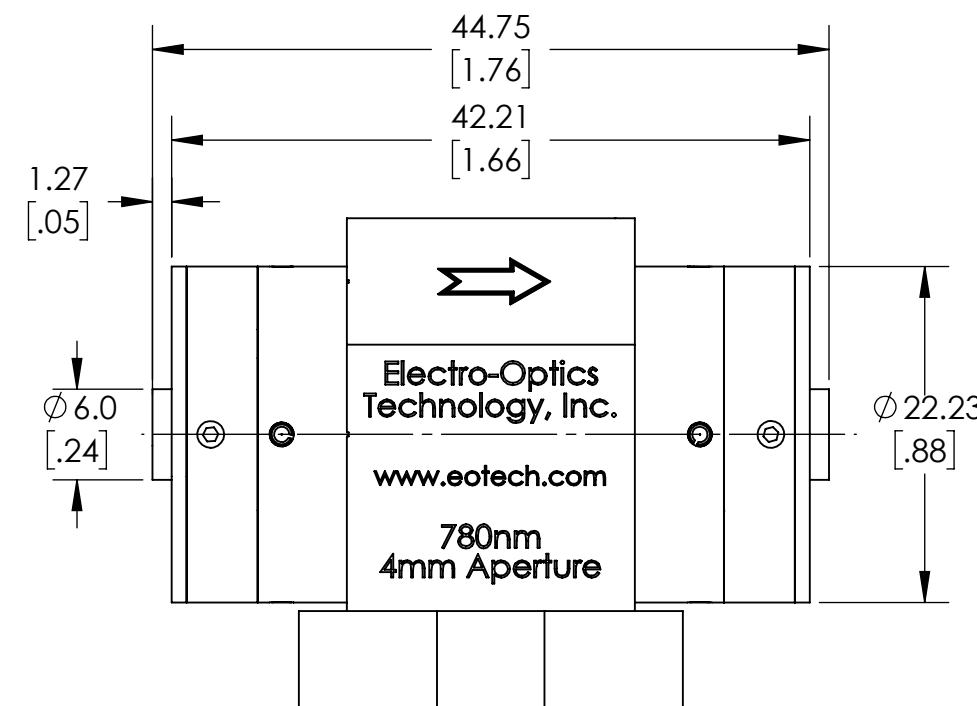
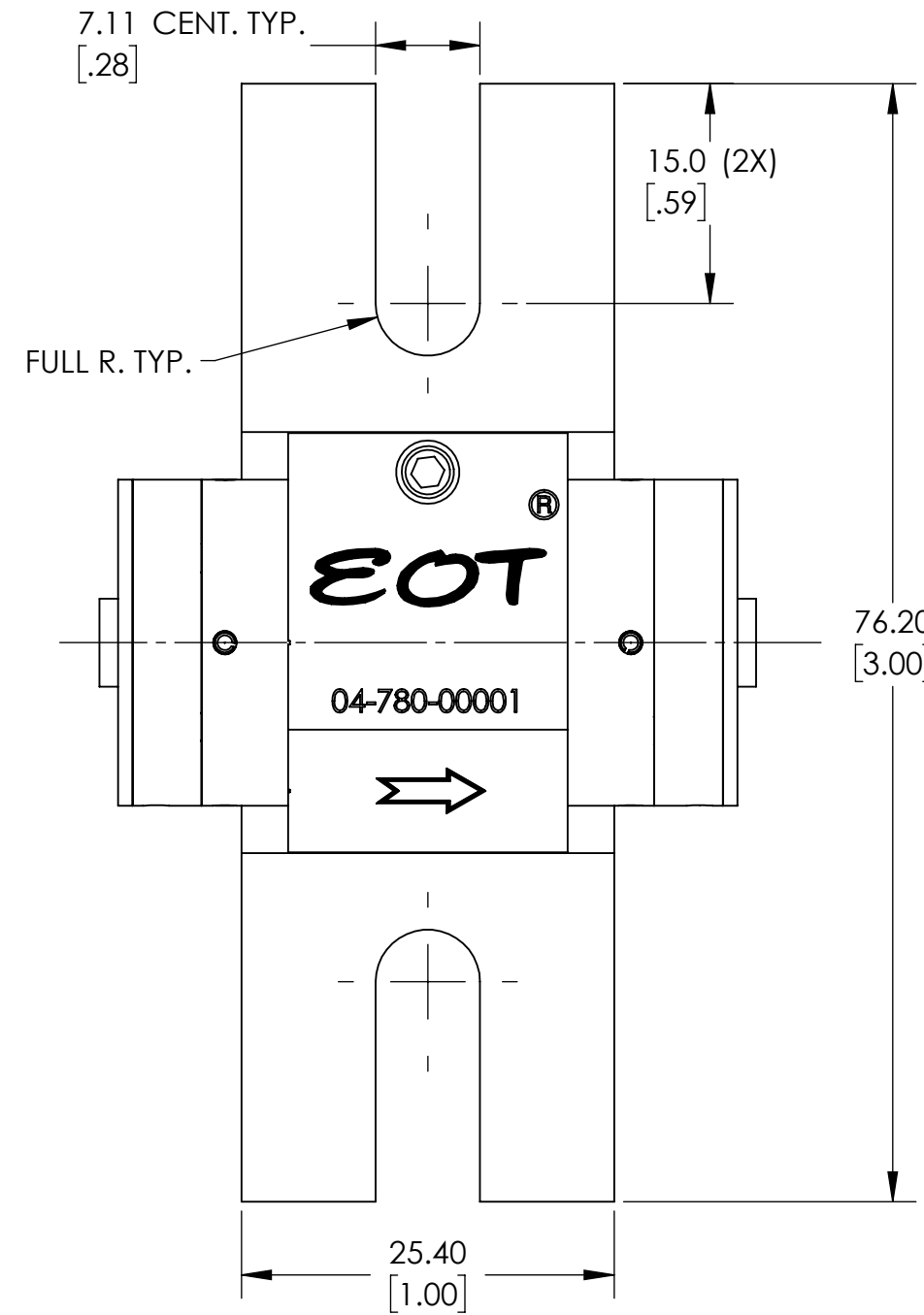
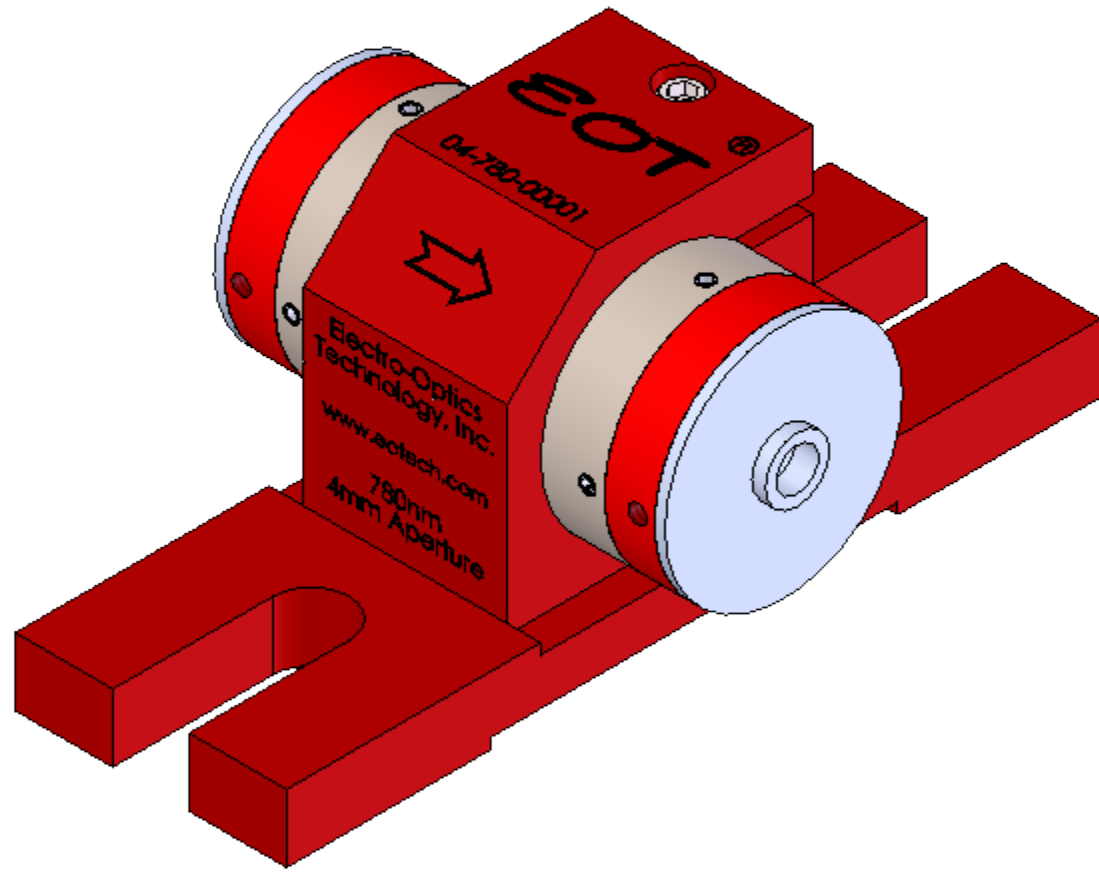


REVISIONS					
ZONE	ECN	REV.	DESCRIPTION	DATE	APPROVED
		01	RELEASED	01/02/08	
	943, 110	D	WAS -1001 NOW -0001 CID, REPLACED 400-02825-0042 WITH 400-02825-4014 (4X) - KL	09/20/17	
	221	E	ADDED 780nm TO NAME FIELD IN TITLE BLOCK	7/31/18	



NOTES: (UNLESS OTHERWISE SPECIFIED)
 1. DEVICE CONFIGURATION PER EOT SPECIFICATION 113-EOT001-06

APPROVED FOR MANUFACTURE	
NAME	
TITLE	
COMPANY	
DATE	
SIGNATURE	

DIMENSIONS ARE IN INCHES[mm]		NAME	DATE	EOT ELECTRO-OPTICS TECHNOLOGY, INC.	
SURFACES	DECIMALS	DRAWN	BMC	1/2/08	NAME
63 ✓	.X ±.1 [2.5] .XX ±.01 [0.3] .XXX ±.005 [0.13] .XXXX ±.0005 [0.013]	CHKD BY			
BREAK ALL SHARP EDGES AND CORNERS	ANGLES ± 0.5°	ENG APP			ISO, RND, 4mm, 780nm, LP CUSTOMER INTERFACE DRAWING
	3rd ANGLE PROJECTION	MATERIAL	ASSEMBLY		
		FINISH			SIZE C
NEXT ASSY	USED ON	CONTRACT			DRAWING NO. 110-10073-0001
APPLICATION					REV E
			SCALE 2:1	SHEET 1 OF 1	UOM