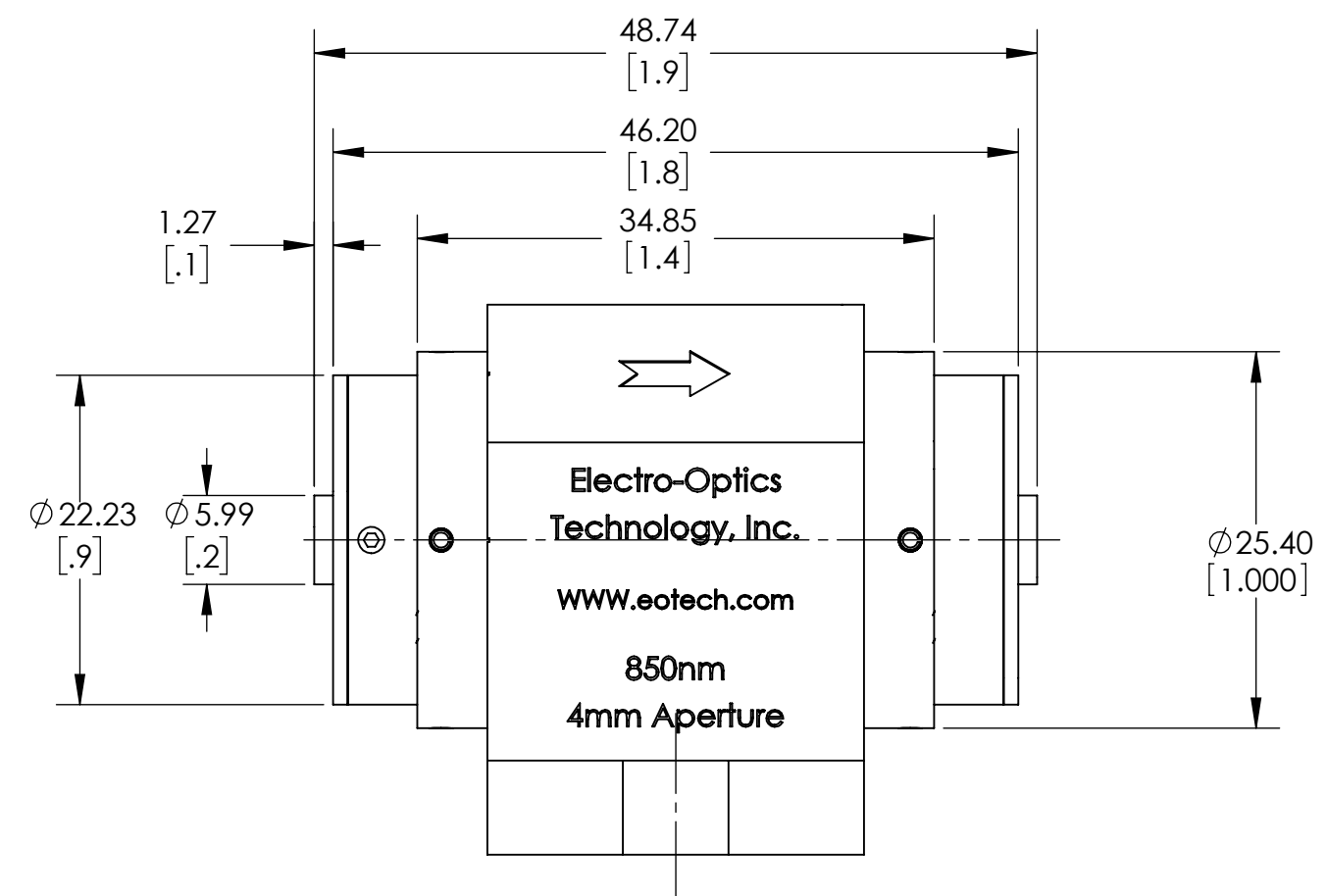
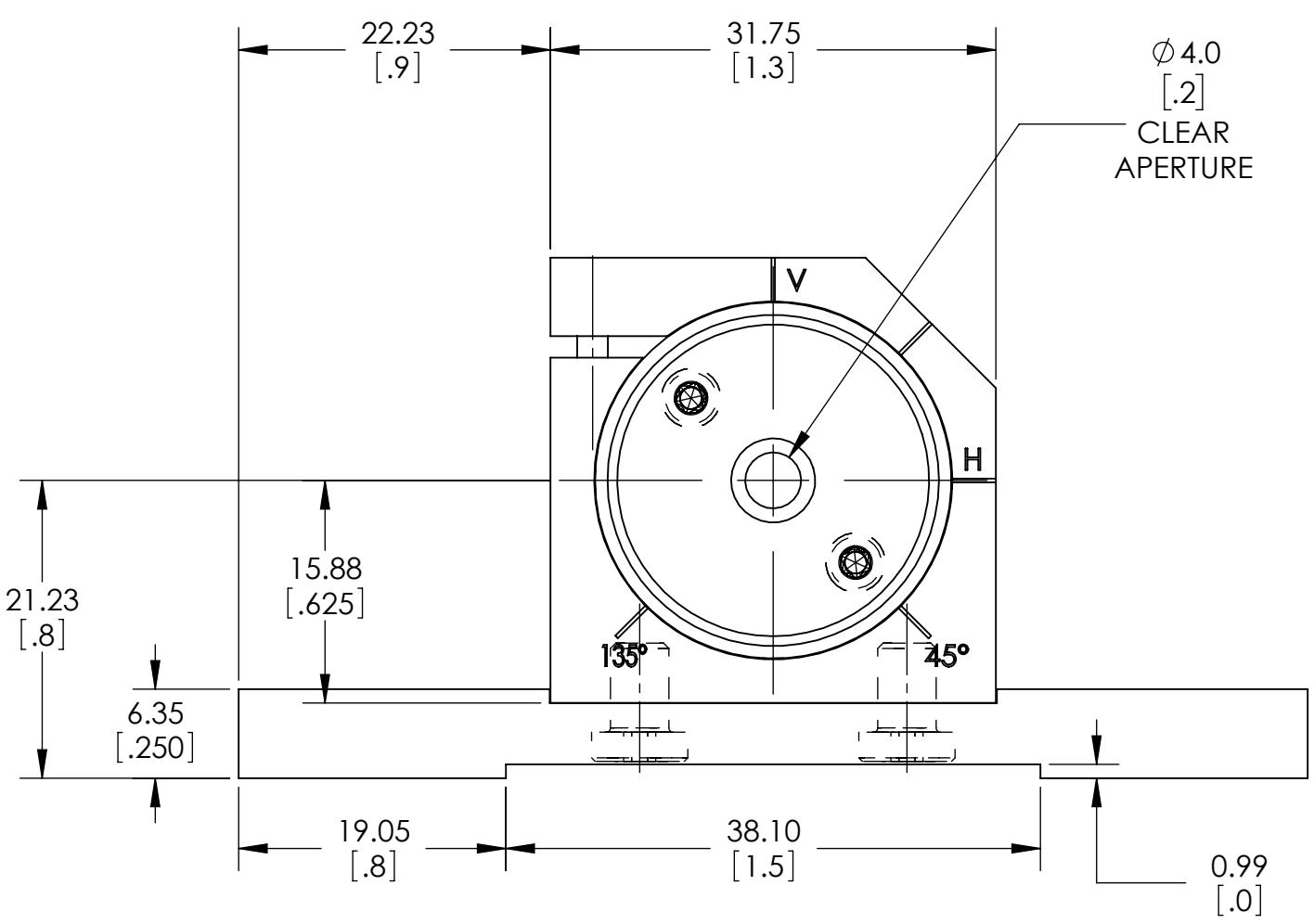
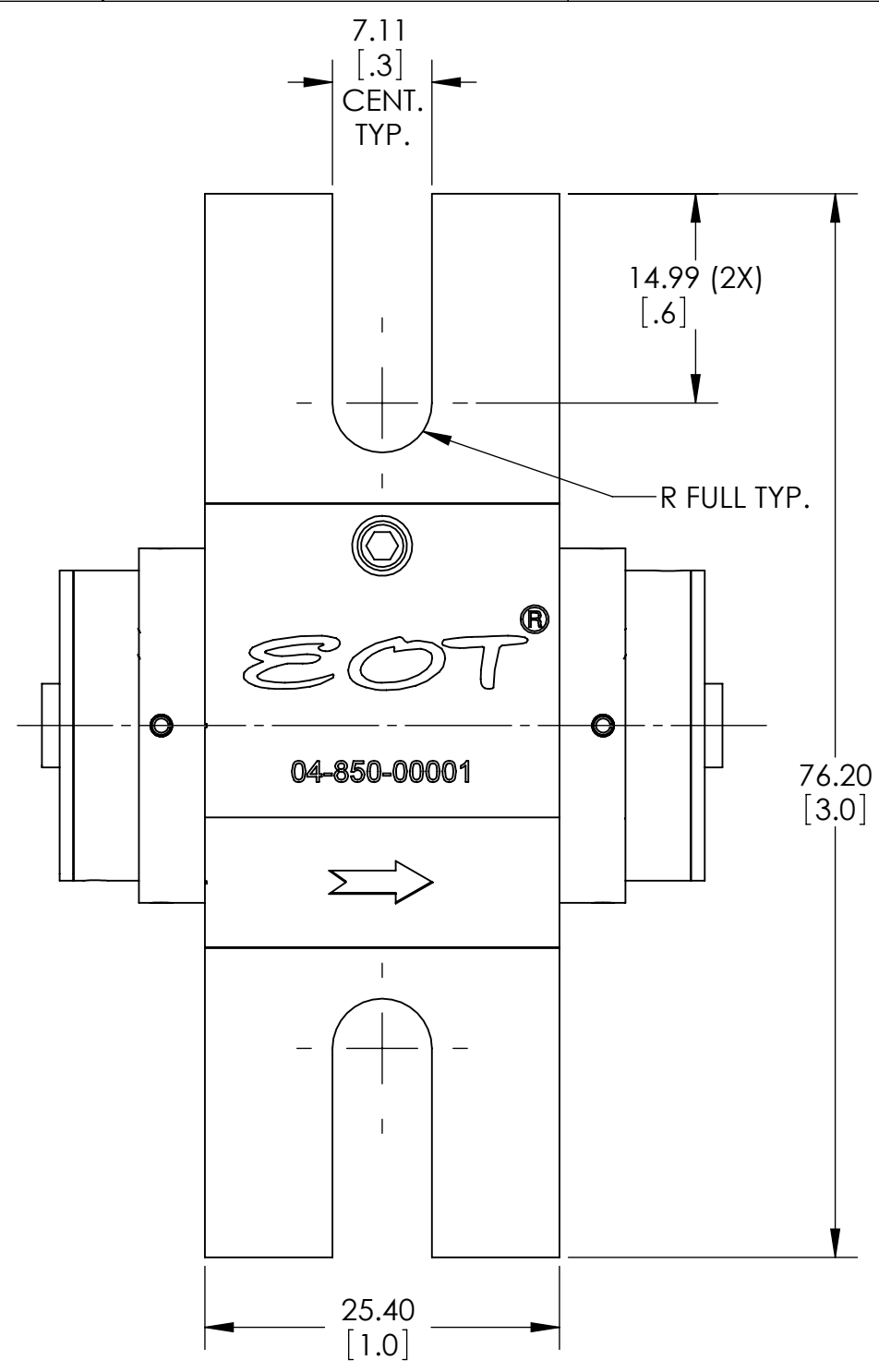
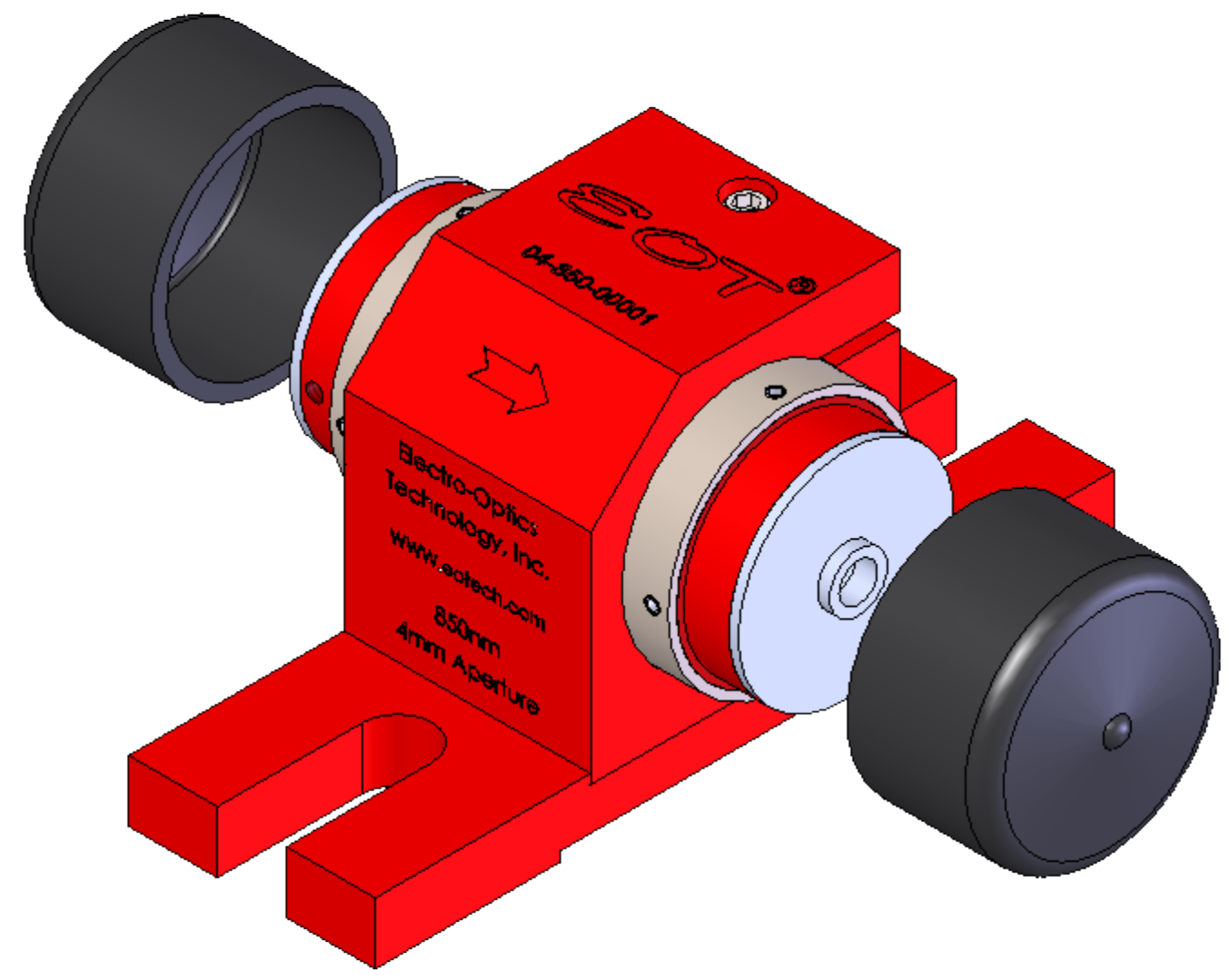


REVISIONS					
ZONE	ECN	REV.	DESCRIPTION	DATE	APPROVED
		A	RELEASED	01/02/08	
	943	B	DRAWING SUFFIX WAS -1001 NOW -0001	06/29/17	
	110	C	REPLACED 400-02825-0042 WITH 400-02825-4014 (4X) - KL	08/28/17	
	171	D	OPTIC TUBE UPDATE	1/4/18	



NOTES: (UNLESS OTHERWISE SPECIFIED)  
 1. DEVICE CONFIGURATION PER EOT SPECIFICATION 113-EOT001-06

**MODEL 41850-LP**

APPROVED FOR MANUFACTURE	
NAME	
TITLE	
COMPANY	
DATE	
SIGNATURE	

NOTICE OF PROPRIETARY RIGHTS: The technical data and/or computer software embodies confidential data including TRADE SECRETS proprietary to Electro-Optics Technology, Inc. Disclosure of this data to you is expressly conditioned upon your assent that it will be limited to use within your company or the Government, for noncompetitive purposes, it will set further to be discussed, and that you will take affirmative measures to assure such protections. Any contrary use is strictly prohibited without the prior written consent of Electro-Optics Technology, Inc. and would be violation of the Trade Secrets Act. Further, this information is exempt from disclosure under the Freedom of Information Act under section (b) of 5 USC 552.

DIMENSIONS ARE IN MILLIMETERS [INCH]  
 mm [INCH]  
 .X ±0.3 [.XX ±0.1]  
 .XX ±0.13 [.XXX ±0.005]  
 .XXX ±0.013 [.XXXX ±0.0005]  
 ANGLES: ±0.5°  
 SURFACE FINISH:  
 1.6 RMS MICRON  
 [63 MICRO INCH]  
 THIRD ANGLE PROJECTION

	NAME	DATE
DRAWN	BMC	1/2/08
CHKD		
ENG		
MATERIAL: ASSEMBLY		
FINISH 1:		
FINISH 2:		

**EOT** Electro-Optics Technology, Inc.  
 NAME  
 ISO, RND, 4mm, 850nm, LP  
 CUSTOMER INTERFACE DRAWING  
 SIZE: C  
 SCALE: 2:1  
 SHEET: 1 OF 1  
 DRAWING NO.: 110-10077-0001  
 REV: D