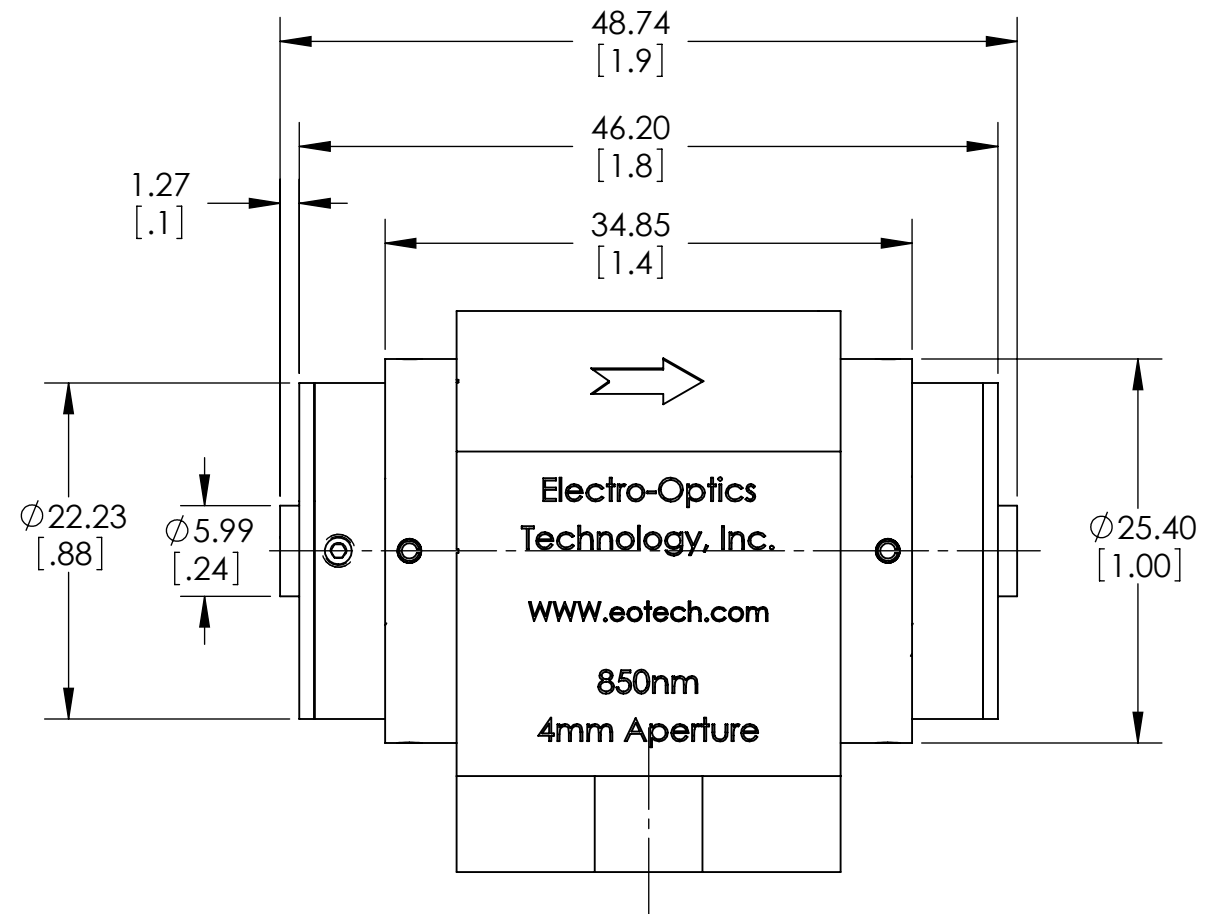
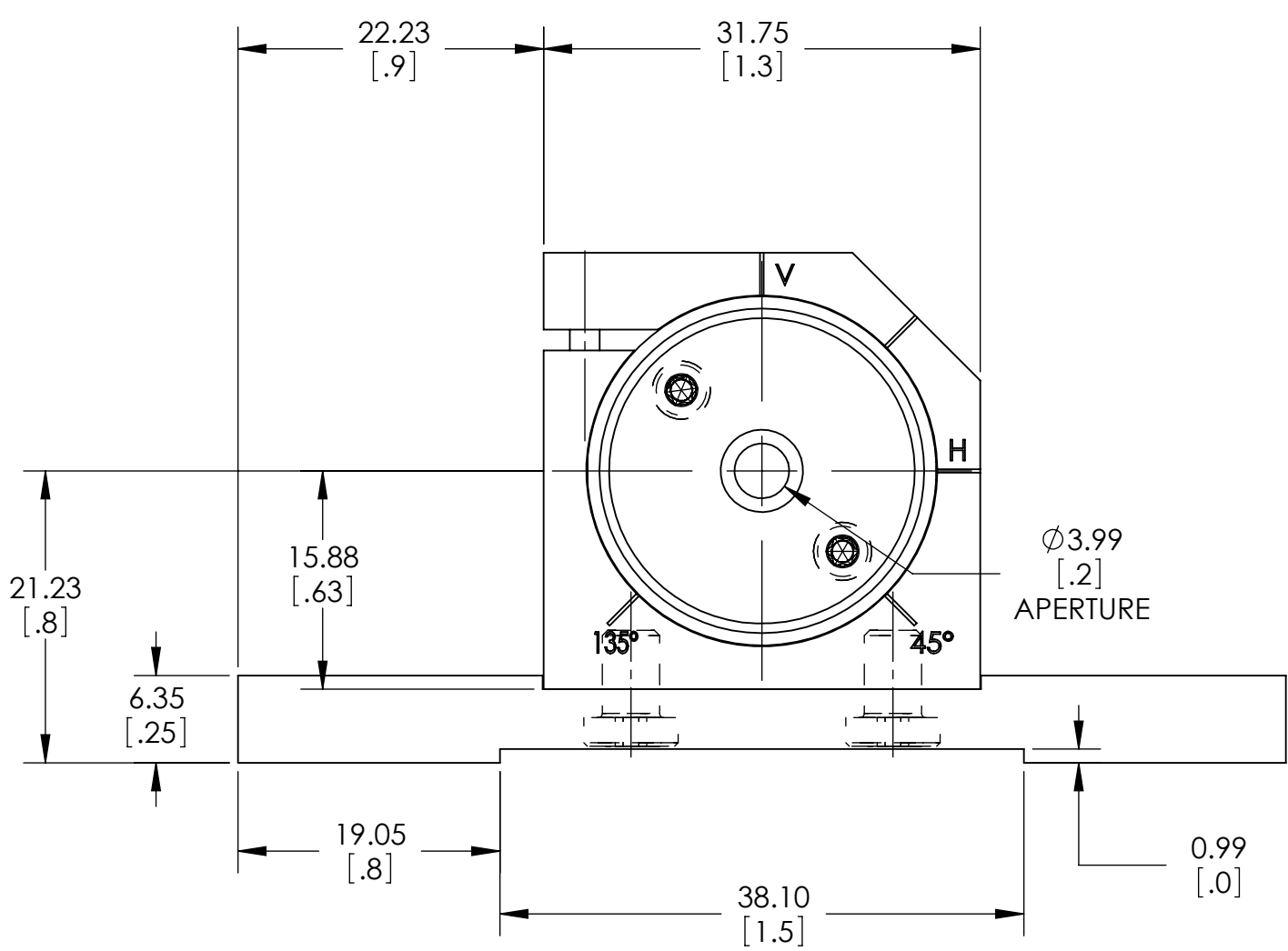
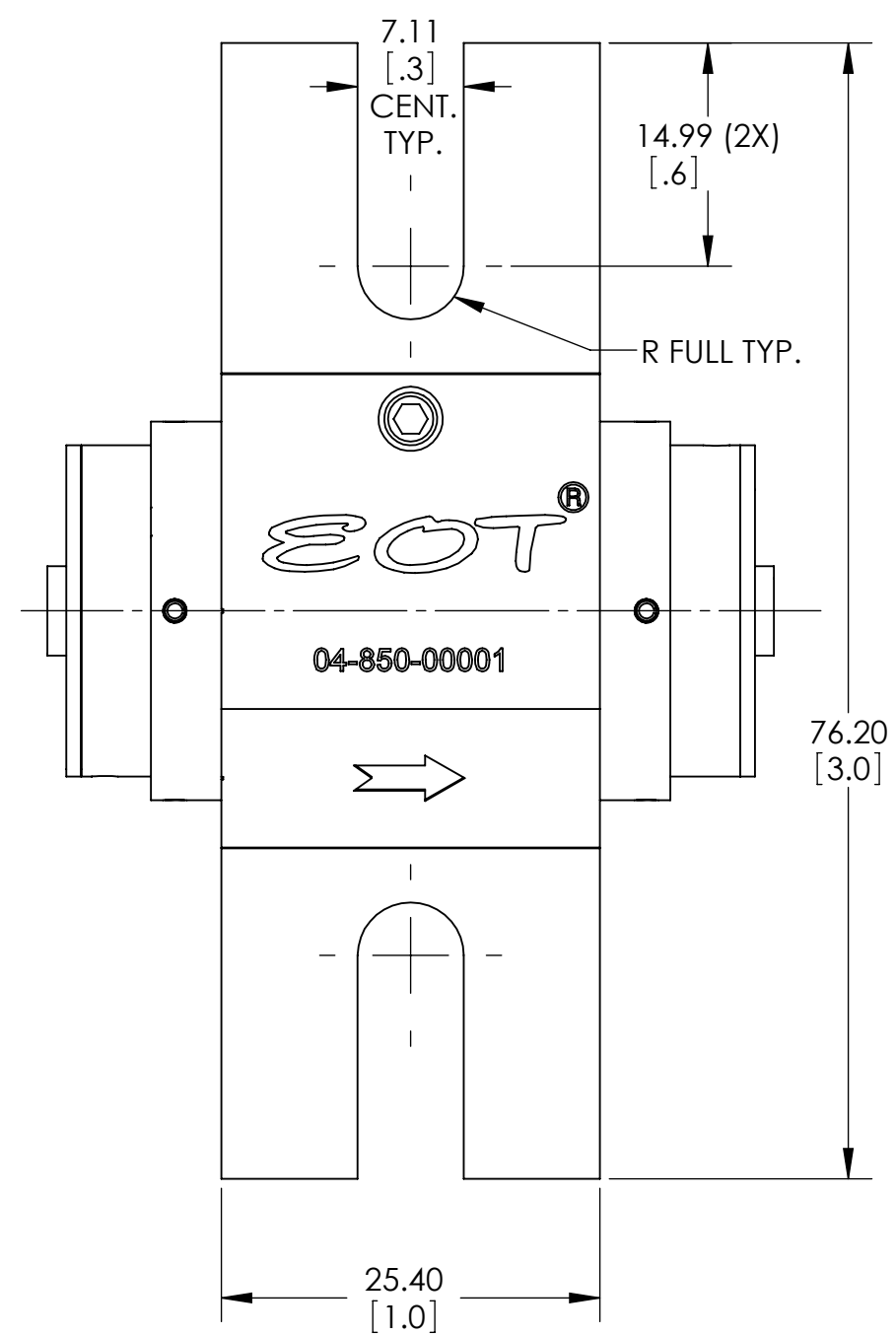
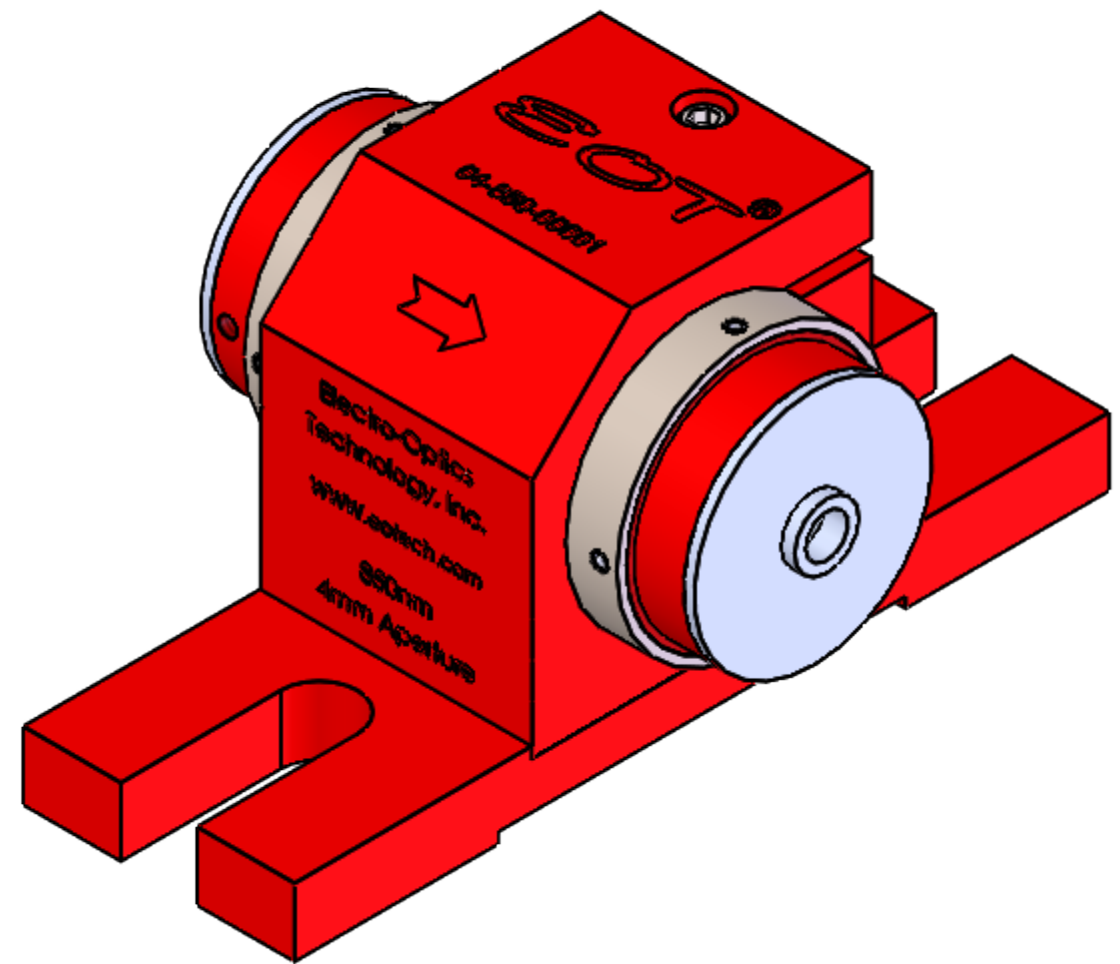


REVISIONS					
ZONE	ECN	REV.	DESCRIPTION	DATE	APPROVED
		01	RELEASED	01/02/08	
	430	A	WAS 500-10943-0001 NOW 500-11645-0001	12/06/12	
	943	B	ADDED NOTES - UPDATED ADHESIVES TO CURRENT STD	10/19/16	
	110	C	REPLACED 400-02825-0042 WITH 400-02825-4014 (4X) - KL	08/28/17	
	171	D	WAS THREE PIECE OPTIC TUBE NOW ONE PIECE	1/5/18	



NOTES: (UNLESS OTHERWISE SPECIFIED)
 1. DEVICE CONFIGURATION PER EOT SPECIFICATION 113-EOT001-06

MODEL 41850-LP

APPROVED FOR MANUFACTURE	
NAME	
TITLE	
COMPANY	
DATE	
SIGNATURE	

NOTICE OF PROPRIETARY RIGHTS: The technical data and/or computer software embodies confidential data including TRADE SECRETS proprietary to Electro-Optics Technology Inc. Disclosure of this data to you is expressly conditioned upon your assent that it will be limited to use within your company or the Government, for noncompetitive purposes, it will set further to be discussed, and that you will take affirmative measures to assure such protections. Any contrary use is strictly prohibited without the prior written consent of Electro-Optics Technology, Inc. and would be violation of the Trade Secrets Act. Further, this information is exempt from disclosure under the Freedom of Information Act under section (b) of 5 USC 552.

DIMENSIONS ARE IN MILLIMETERS [INCH]
 mm [INCH]
 .X ±0.3 [.XX ±0.1]
 .XX ±0.13 [.XXX ±0.005]
 .XXX ±0.013 [.XXXX ±0.0005]
 ANGLES: ±0.5°
 SURFACE FINISH:
 1.6 RMS MICRON
 [63 MICRO INCH]
 THIRD ANGLE PROJECTION

	NAME	DATE
DRAWN	BMC	1/2/08
CHKD		
ENG		
MATL: ASSEMBLY		
FINISH 1:		
FINISH 2:		

EOT Electro-Optics Technology, Inc.
 NAME
 ISO, RND, 4mm, 850nm, LP
 CUSTOMER INTERFACE DRAWING
 SIZE C SCALE 2:1 SHEET 1 OF 1
 DRAWING NO. 1101-0077-0003
 REV D