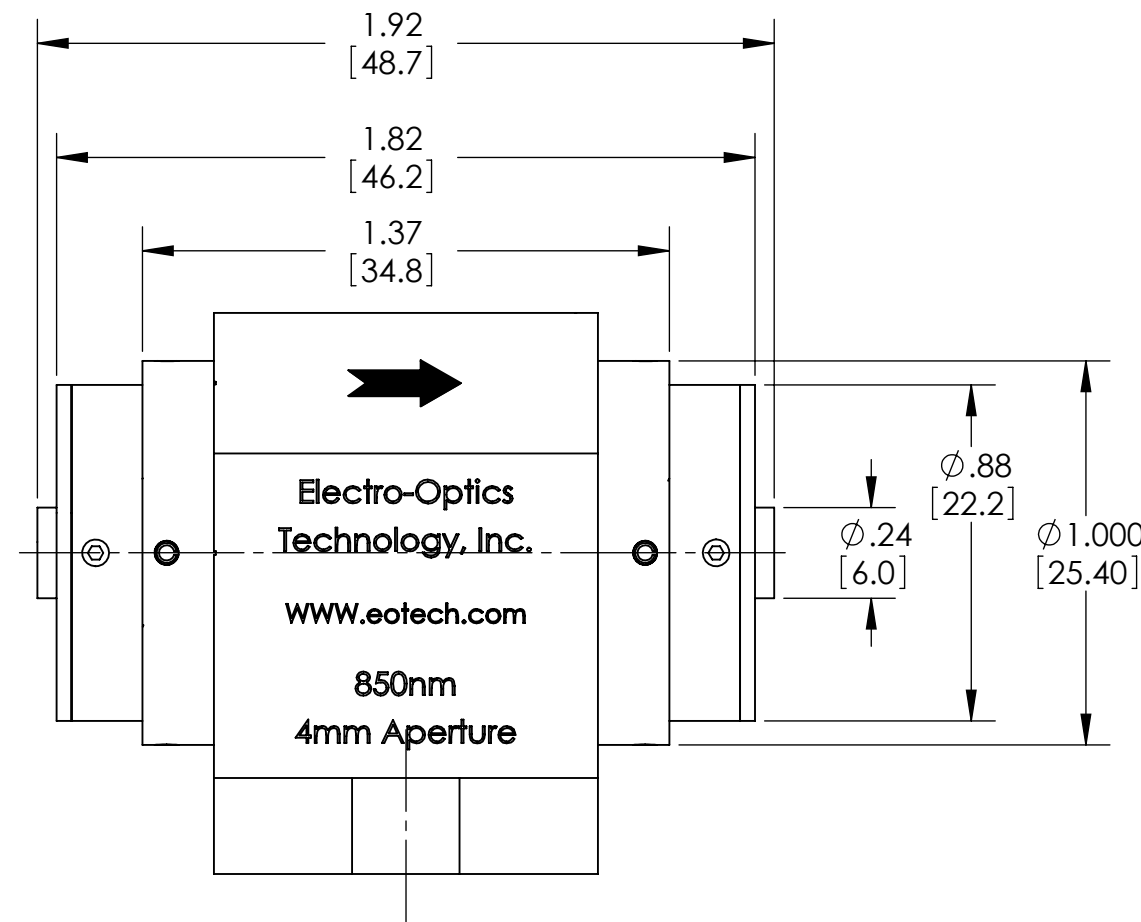
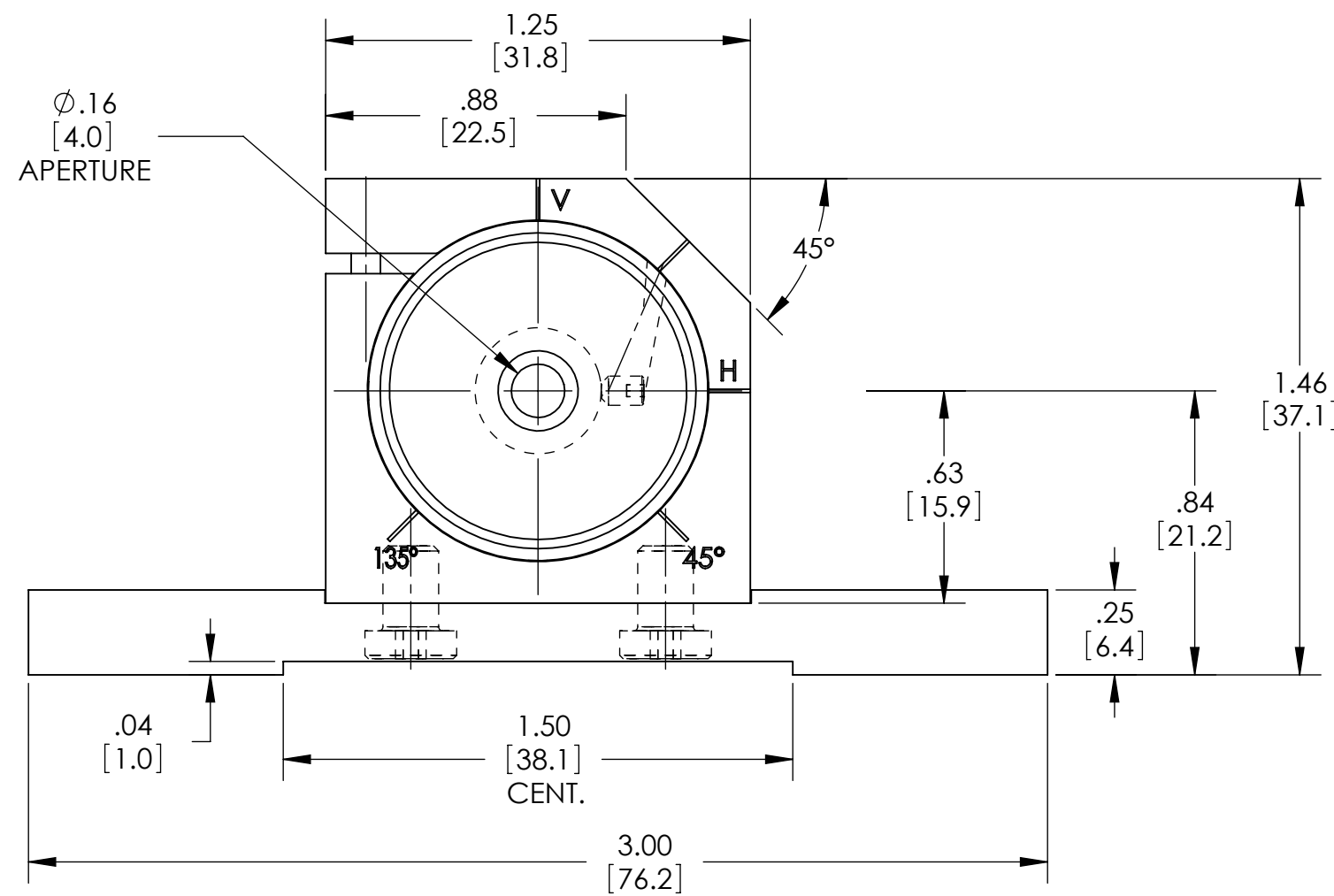
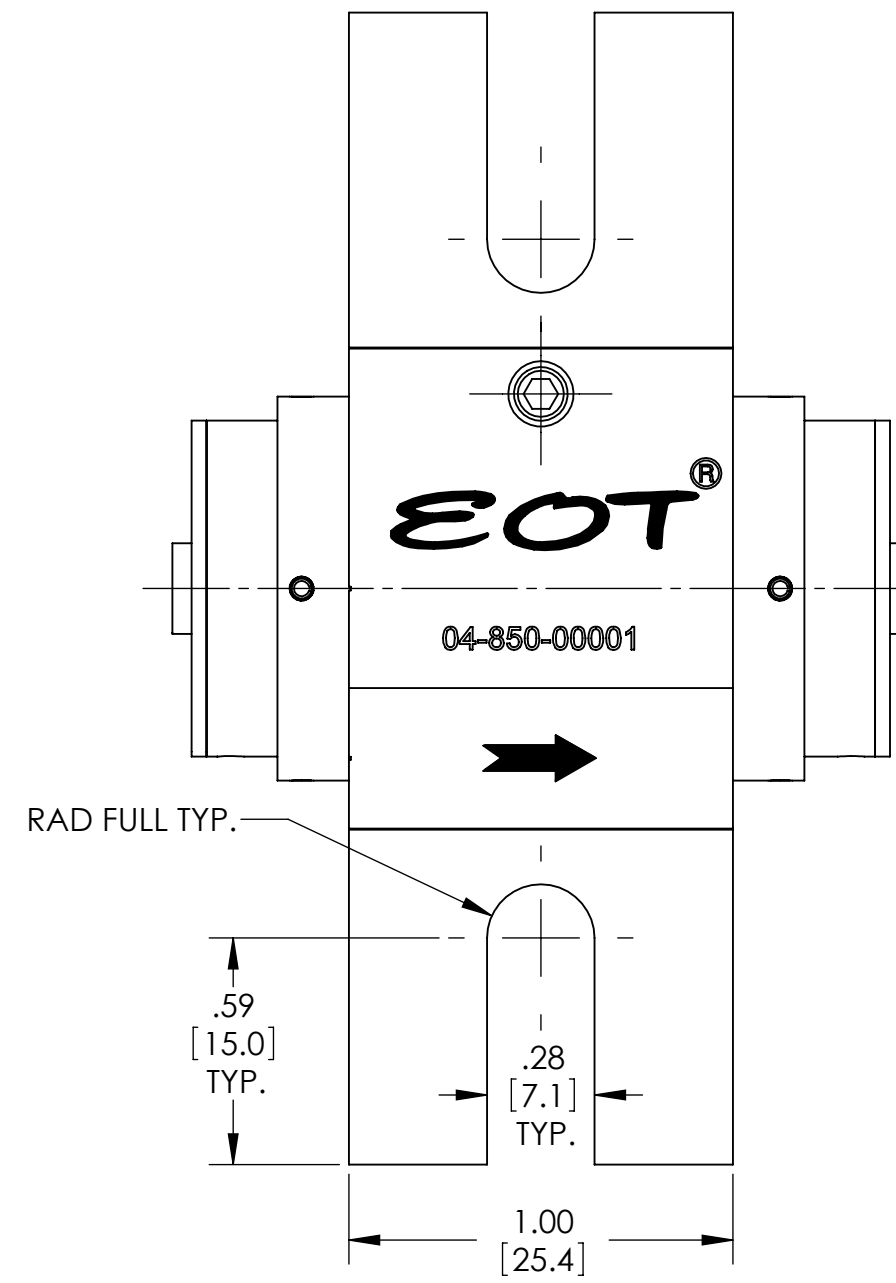
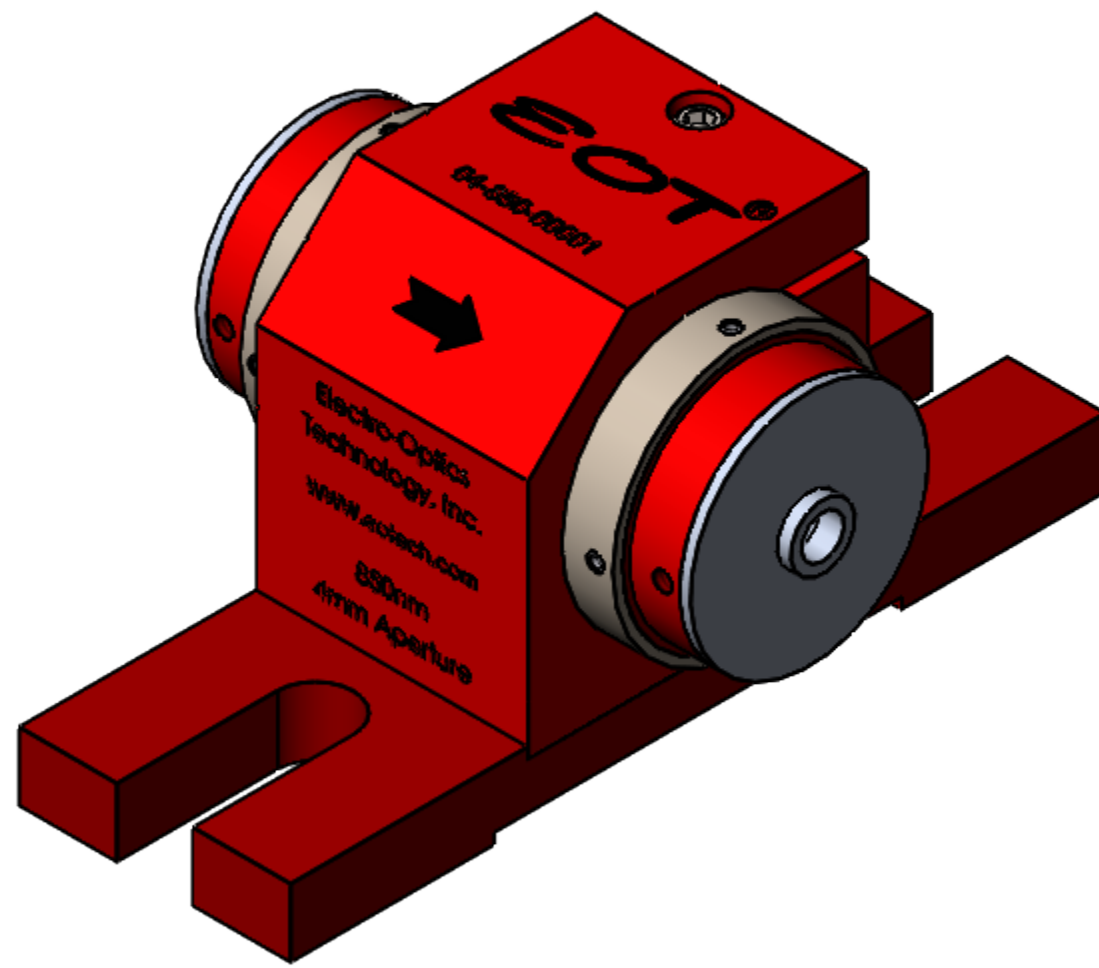


REVISIONS					
ZONE	ECN	REV.	DESCRIPTION	DATE	APPROVED
		A	RELEASED	04/16/08	
	943, 110	B	WAS -1001 NOW -0001 CID, REPLACED 400-02825-0042 WITH 400-02825-4014 (4X) - KL	09/19/17	
	171	C	OPTIC TUBE UPDATE	1/5/18	



NOTES: (UNLESS OTHERWISE SPECIFIED)

1. DEVICE CONFIGURATION PER EOT SPECIFICATION 113-EOT001-05

MODEL No. 4R850

APPROVED FOR MANUFACTURE	
NAME	
TITLE	
COMPANY	
DATE	
SIGNATURE	

DIMENSIONS ARE IN INCHES[mm]		NAME	DATE	EOT ELECTRO-OPTICS TECHNOLOGY, INC.	
SURFACES	DECIMALS	DRAWN	BMC	4/17/08	NAME ROT, RND, 4mm, 850nm CUSTOMER INTERFACE DRAWING
63 ✓	X ±.1 [2.5] .XX ±.01 [0.3] .XXX ±.005 [0.13] .XXXX ±.0005 [0.013]	CHKD BY			
BREAK ALL SHARP EDGES AND CORNERS	ANGLES ± 0.5° 3rd ANGLE PROJECTION	ENG APP			
		MATERIAL		ASSEM BLY	
		FINISH			
NEXT ASSY	USED ON	CONTRACT		SIZE C	DRAWING NO. 110-10080-0001
APPLICATION				SCALE 2:1	REV C
				SHEET 1 OF 1	UOM