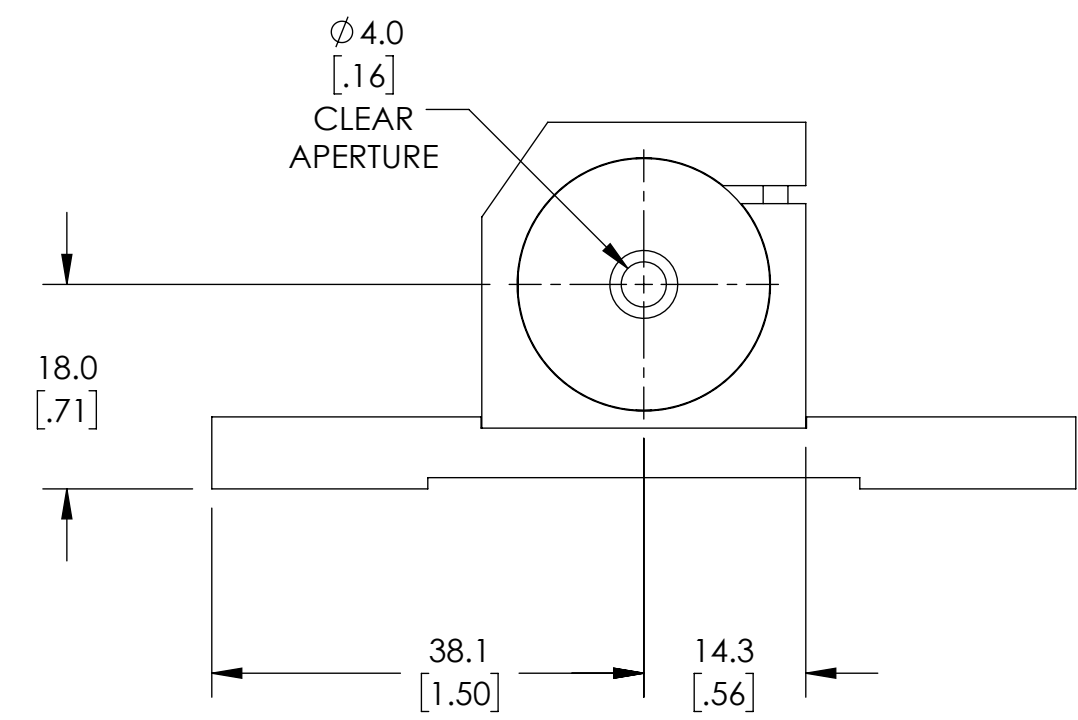
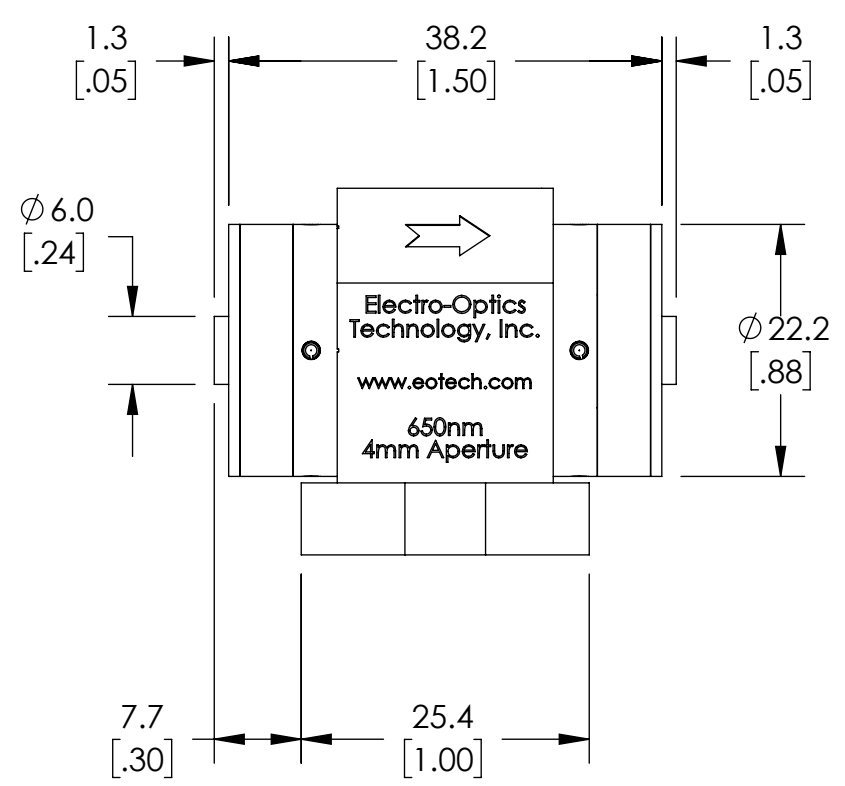
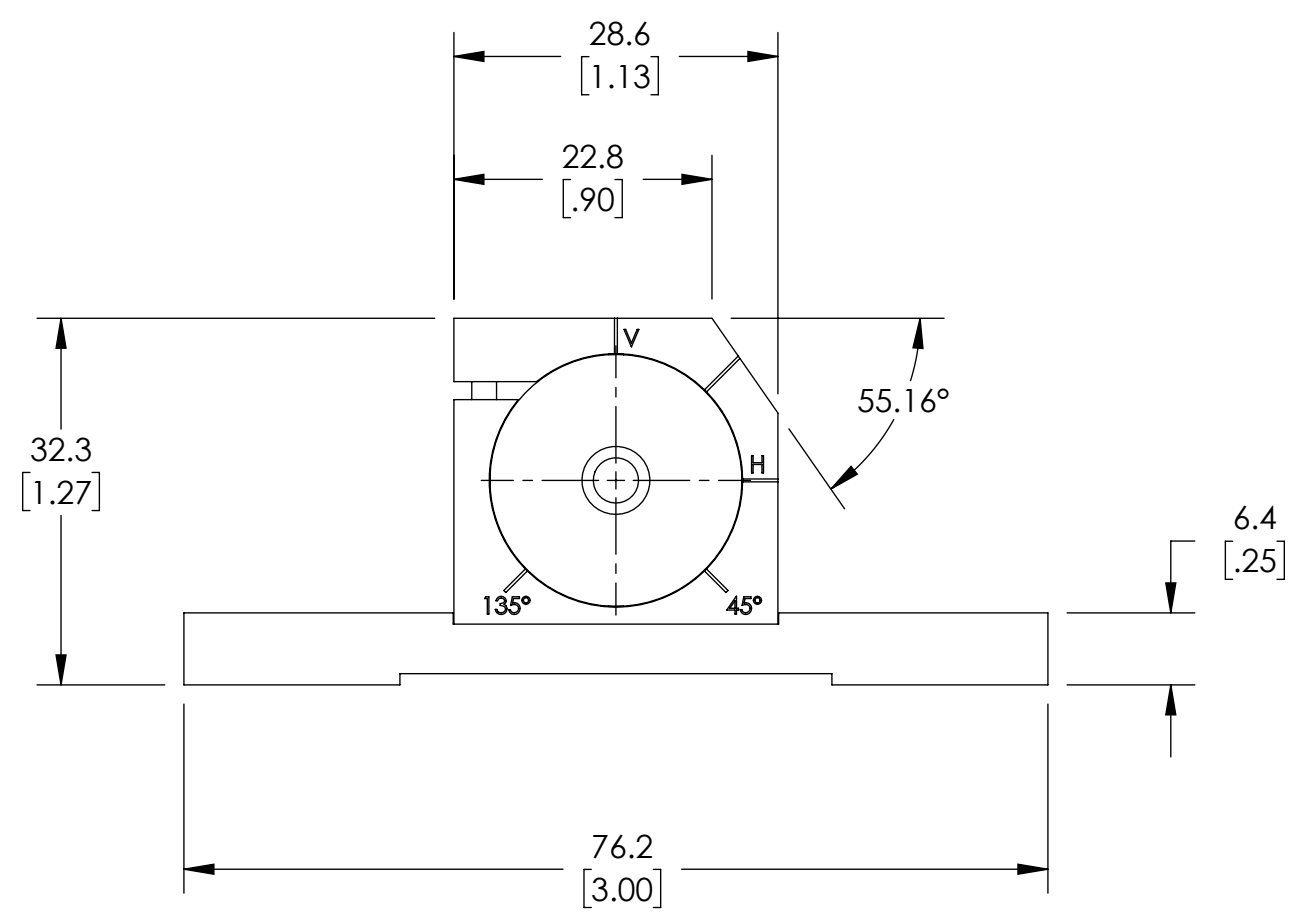
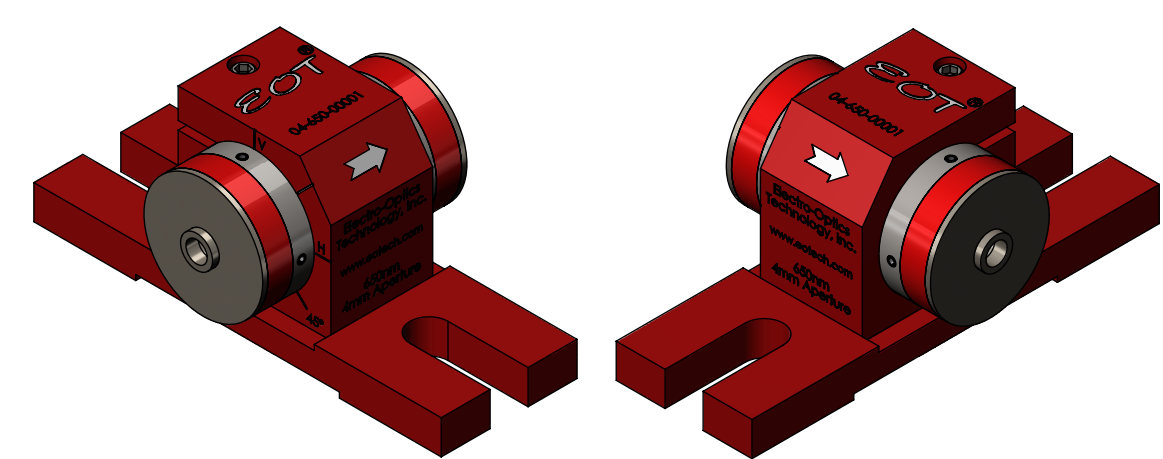
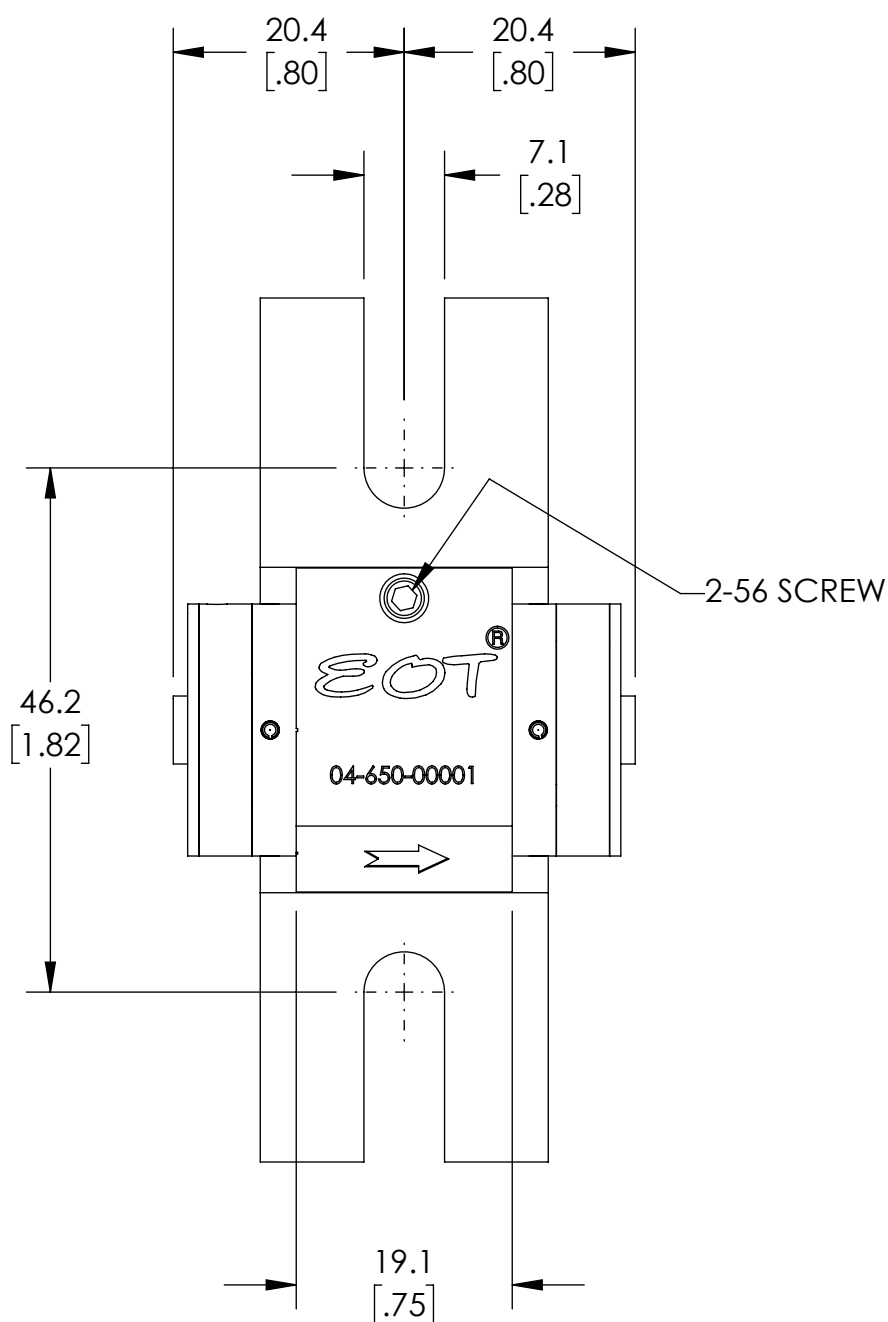


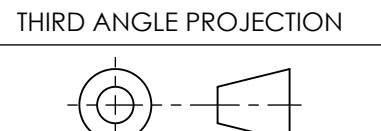
ZONE	ECN	REV.	DESCRIPTION	DATE	APPROVED
		A	RELEASED TO PRODUCTION	1/15/13	



APPROVED FOR MANUFACTURE

NOTICE OF PROPRIETARY RIGHTS: The technical data and/or computer software embodies confidential data including TRADE SECRETS proprietary to Electro-Optics Technology, Inc. Disclosure of this data to you is expressly conditioned upon your assent that it will be limited to use within your company or the Government, for noncompetitive purposes, it will set further to be discussed, and that you will take affirmative measures to assure such protections. Any contrary use is strictly prohibited without the prior written consent of Electro-Optics Technology, Inc. and would be violation of the Trade Secrets Act. Further, this information is exempt from disclosure under the Freedom of Information Act under section (b) of 5 USC 552.

DIMENSIONS ARE IN MILLIMETERS [INCH]  
 mm [INCH]  
 .X ±0.3 [.XX ±0.1]  
 .XX ±0.13 [.XXX ±0.005]  
 .XXX ±0.013 [.XXXX ±0.0005]  
 ANGLES: ±0.5°  
 SURFACE FINISH:  
 1.6 RMS MICRON  
 [63 MICRO INCH]



NAME	DATE
DRAWN: JEA	6/28/19
CHKD:	SEE PLEX WORKFLOW FOR APPROVALS
ENG:	SEE PLEX WORKFLOW FOR APPROVALS
MATERIAL: ASSEMBLY	
FINISH 1: NONE	
FINISH 2: NONE	

**EOT** Electro-Optics Technology, Inc.  
 NAME: ISOLATOR, RND, 4mm, 650nm, LP, WP  
 CUSTOMER INTERFACE DRAWING  
 SIZE: C  
 SCALE: 3:2  
 SHEET: 1 OF 1  
 DRAWING NO.: 110-10312-0001  
 REV: A