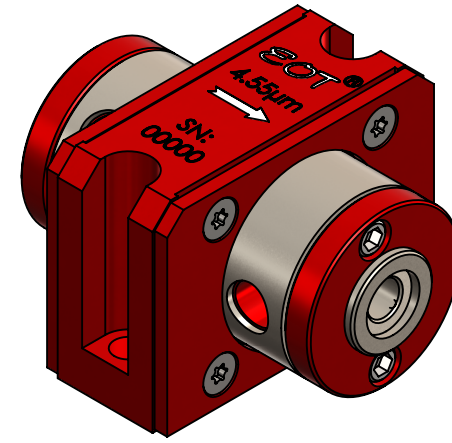
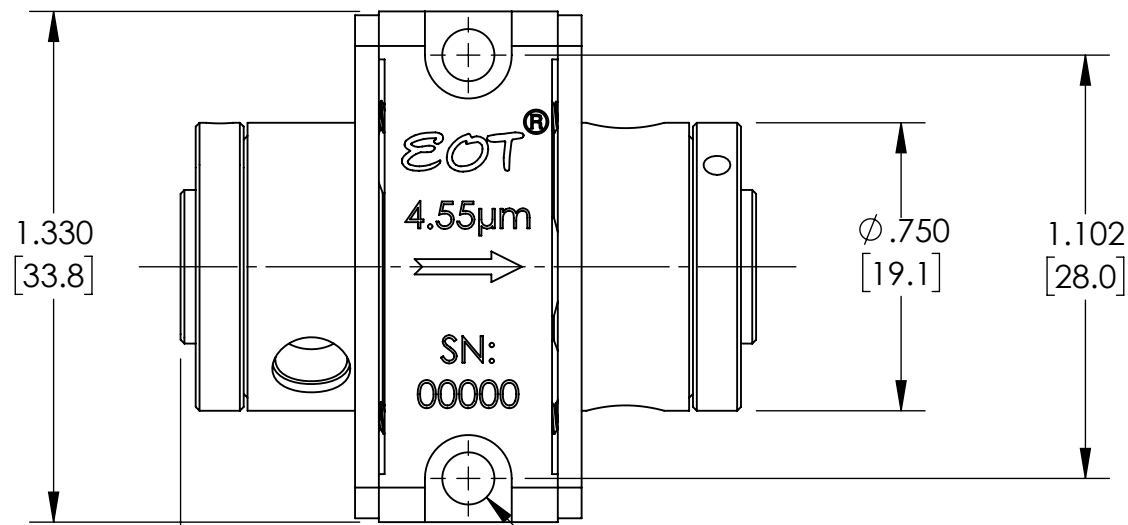
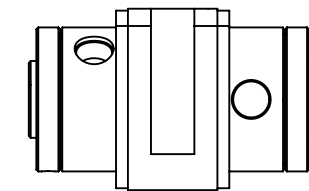


ZONE	ECN	REV.	DESCRIPTION	DATE	APPROVED
	594	F	REVISED BOM COMPONENT	12/18/2013	

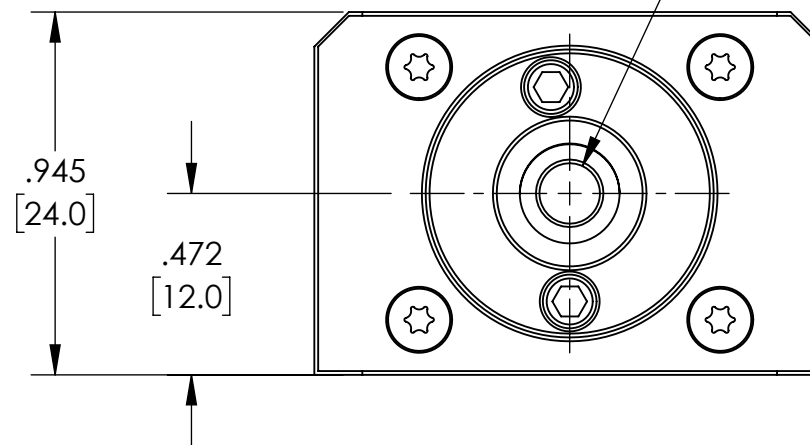
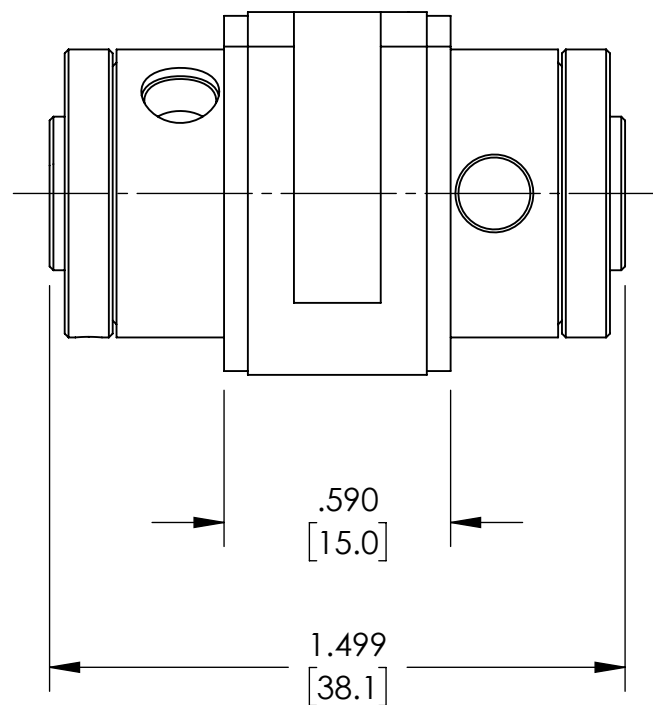
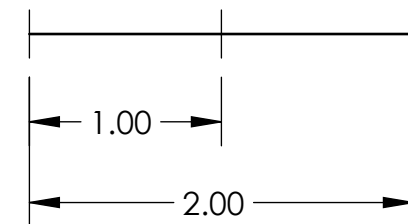


.749 [19.0]  
 2X  $\phi$  .136 [3.5] THRU  
 (CLEARANCE FOR  
 #4 OR M3 SHCS)  
 TAP 8-32 UNC - 2B THRU

$\phi$ .157 [4.00]  
 CLEAR  
 APERTURE



FULL SCALE  
 ON 11" X 17" MEDIA



DIMENSIONS ARE IN INCHES [mm] <b>INCH</b> [mm] .XX ±.01 [.X ±0.3] .XXX ±.005 [.XX ±0.13] .XXXX ±.0005 [.XXX ±0.013] ANGLES: ±0.5° SURFACE FINISH: 63 MICRO INCH [1.6 RMS MICRON]	NAME	DATE	<b>EOT</b> ® Electro-Optics Technology, Inc.  NAME ISO, FM2, MID-IR, 4.55µm, 4mm CA CUSTOMER INTERFACE DRAWING			
	DRAWN	JEA 7/30/12				
	CHKD	SEE PLEX WORKFLOW FOR APPROVALS				
	ENG					
THIRD ANGLE PROJECTION	MATL: ASSEMBLY	FINISH 1:	SIZE	SCALE 2:1	DRAWING NO. <b>110-10316-0001</b>	REV <b>F</b>
	FINISH 2: N/A	FINISH 1:	<b>B</b>	SHEET 1 OF 1		

NOTICE OF PROPRIETARY RIGHTS: The technical data and/or computer software embodies confidential data including TRADE SECRETS proprietary to Electro-Optics Technology Inc. Disclosure of this data to you is expressly conditioned upon your assent that it will be limited to use within your company or the Government, for noncompetitive purposes, it will set further to be discussed, and that you will take affirmative measures to assure such protections. Any contrary use is strictly prohibited without the prior written consent of Electro-Optics Technology, Inc. and would be violation of the Trade Secrets Act. Further, this information is exempt from disclosure under the Freedom of Information Act under section (b) of 5 USC 552.