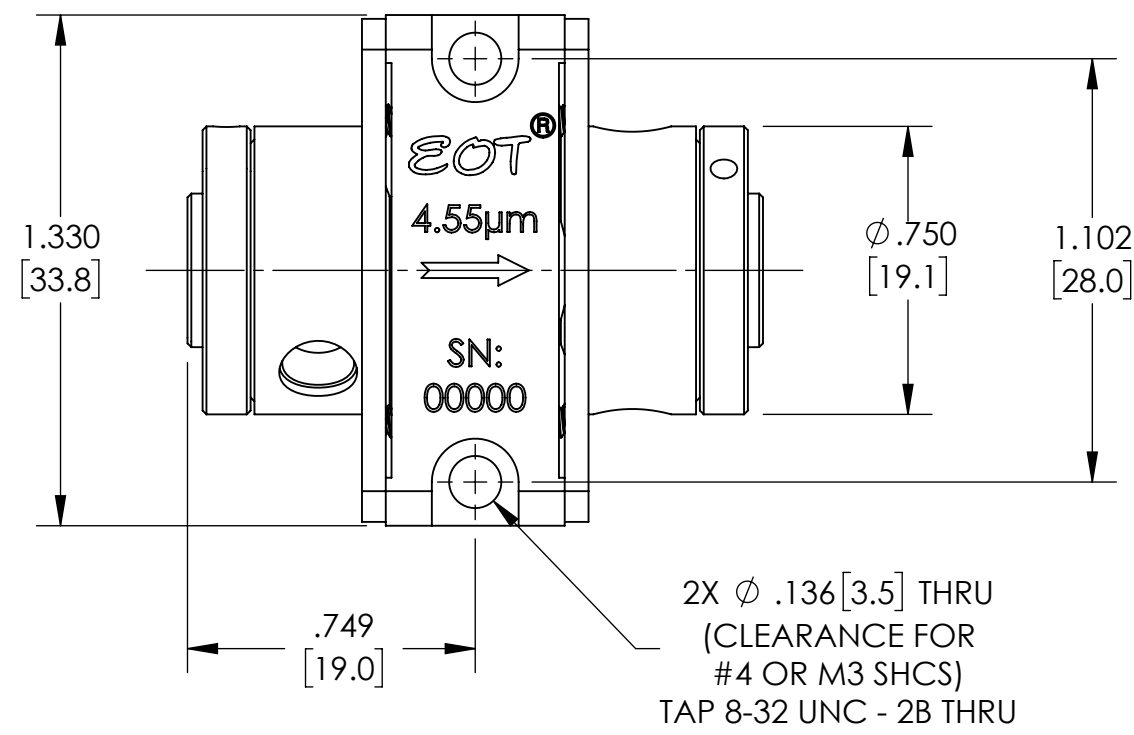
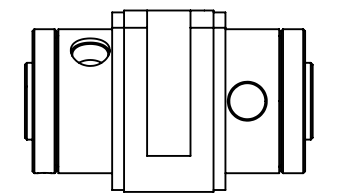
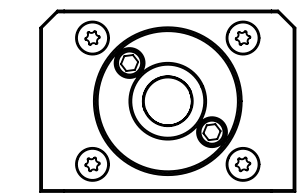
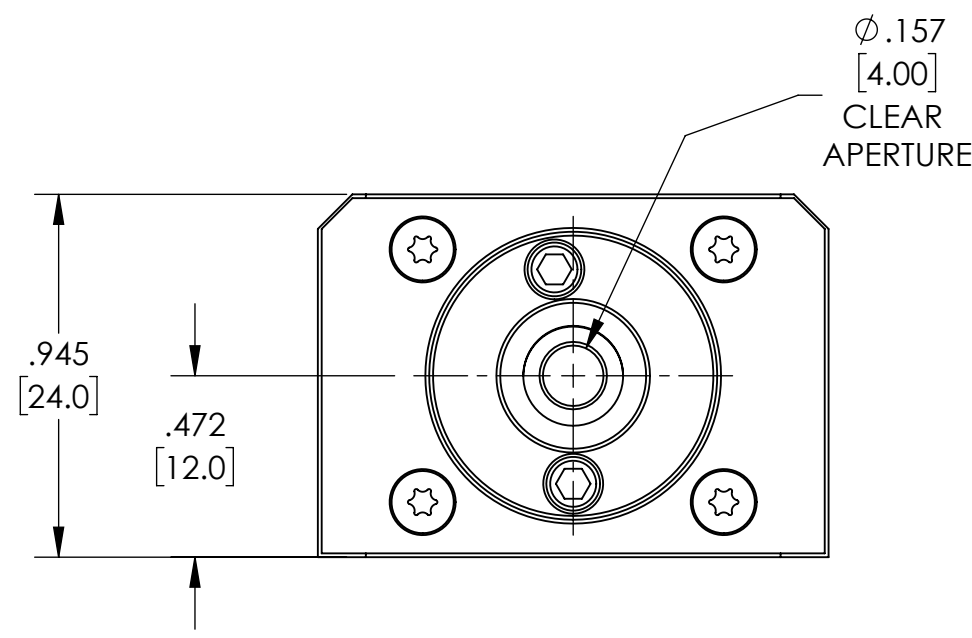
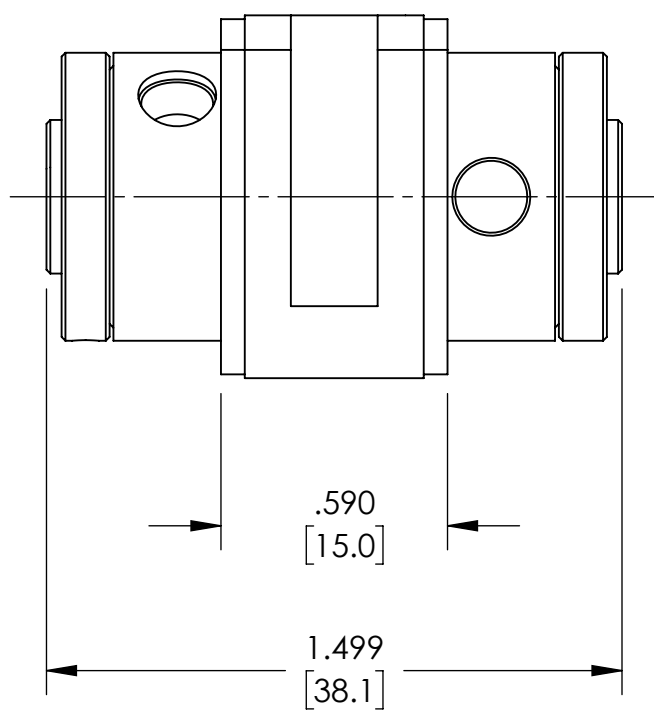
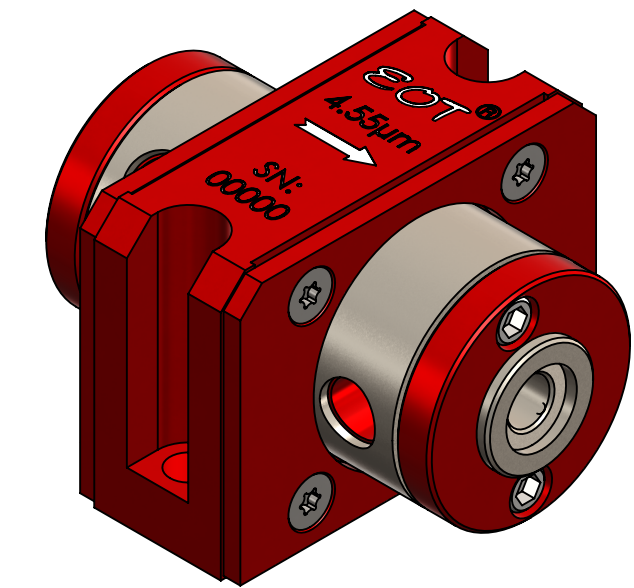


ZONE	ECN	REV.	DESCRIPTION	DATE	APPROVED
		A	RELEASED	9/14/2015	



2X ϕ .136 [3.5] THRU
(CLEARANCE FOR
#4 OR M3 SHCS)
TAP 8-32 UNC - 2B THRU



FULL SCALE

APPROVED FOR MANUFACTURE

NAME	
TITLE	
COMPANY	
DATE	
SIGNATURE	

NOTICE OF PROPRIETARY RIGHTS: The technical data and/or computer software embodies confidential data including TRADE SECRETS proprietary to Electro-Optics Technology Inc. Disclosure of this data to you is expressly conditioned upon your assent that it will be limited to use within your company or the Government, for noncompetitive purposes, it will set further to be discussed, and that you will take affirmative measures to assure such protections. Any contrary use is strictly prohibited without the prior written consent of Electro-Optics Technology, Inc. and would be violation of the Trade Secrets Act. Further, this information is exempt from disclosure under the Freedom of Information Act under section (b) of 5 USC 552.

DIMENSIONS ARE IN INCHES [mm]
INCH [mm]
 .XX ±.01 [.X ±0.3]
 .XXX ±.005 [.XX ±0.13]
 .XXXX ±.0005 [.XXX ±0.013]
 ANGLES: ±0.5°
 SURFACE FINISH:
 63 MICRO INCH
 [1.6 RMS MICRON]
 THIRD ANGLE PROJECTION

NAME	DATE
DRAWN	JEA 7/1/2019
CHKD	SEE PLEX WORKFLOW FOR APPROVALS
ENG	
MATL: ASSEMBLY	
FINISH 1:	NA
FINISH 2:	NA

EOT Electro-Optics Technology, Inc.
 NAME
 ISO, FM2, MID-IR, 4.55um, 4mmCA, WP
 CUSTOMER INTERFACE DRAWING

SIZE	SCALE 2:1	DRAWING NO.	REV
C	SHEET 1 OF 1	110-10316-0004	A