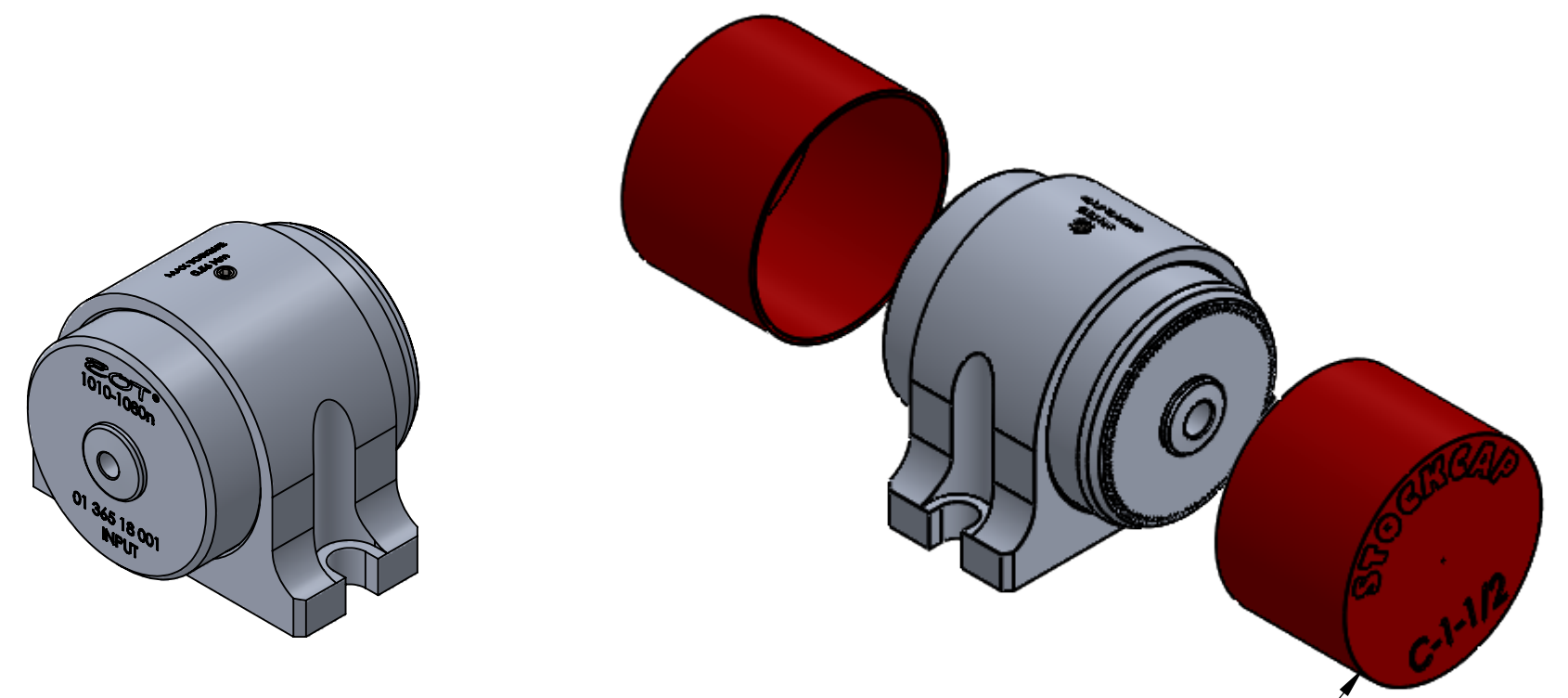
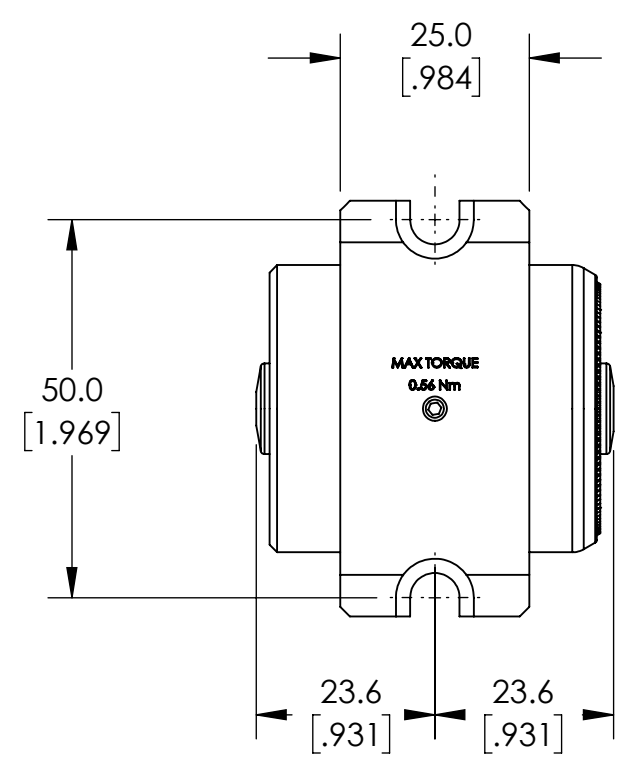
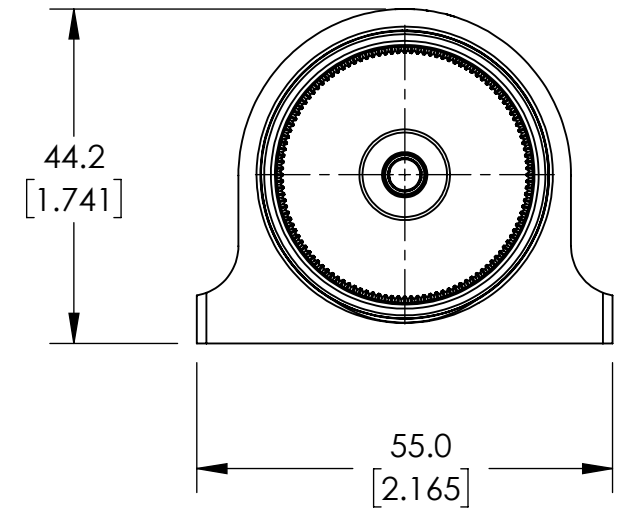
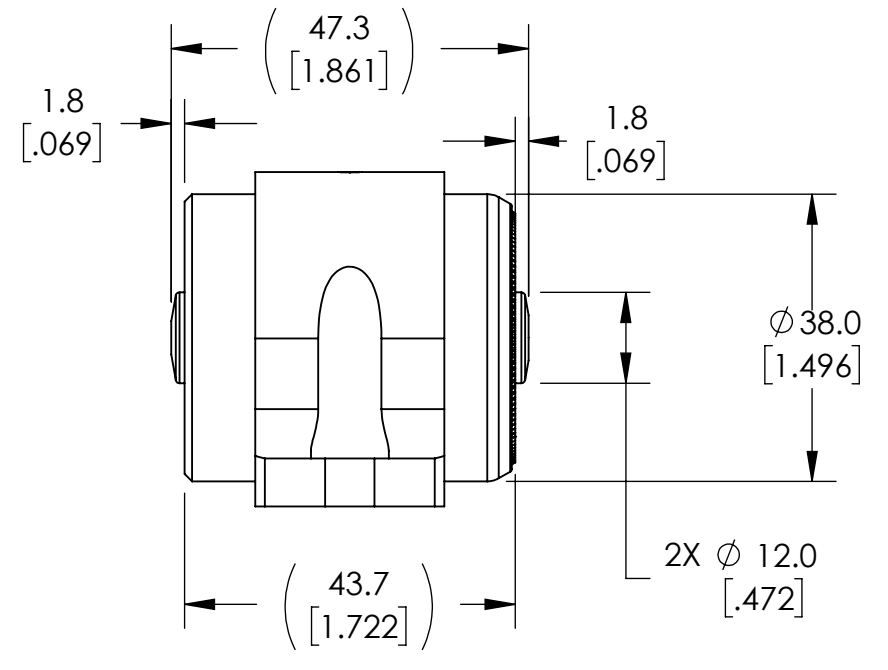
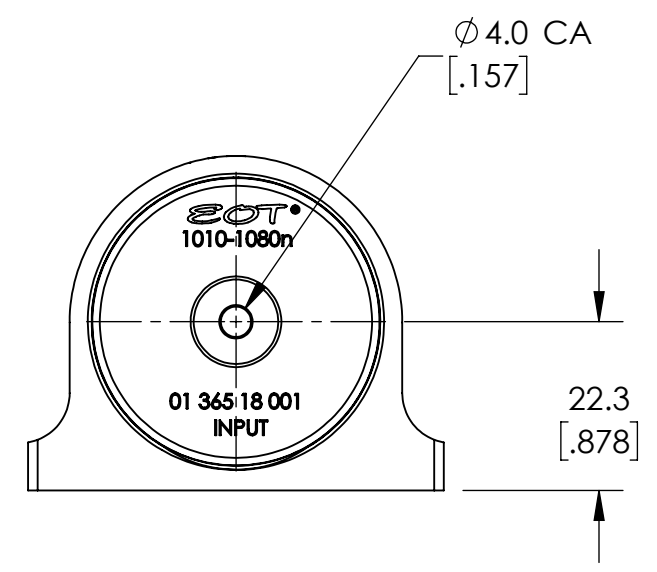


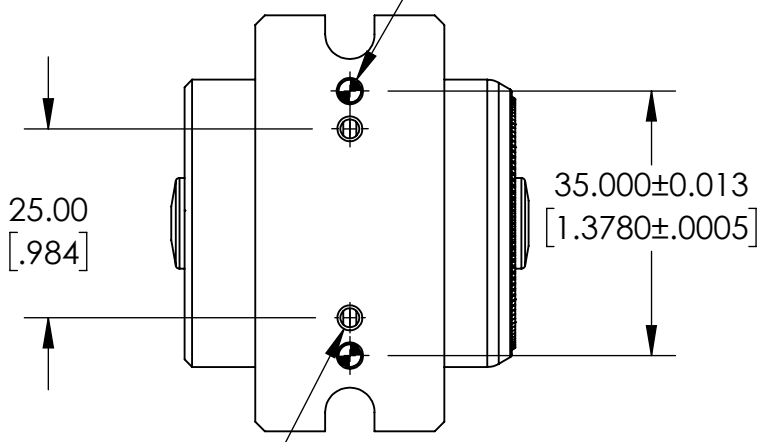
ZONE	ECN	REV.	DESCRIPTION	DATE	APPROVED
		A	RELEASED	4/29/19	
	346	B	ADDED CALMP	6/20/2019	



SHIPPING CAP



2X \varnothing 3.000 F8 $\begin{matrix} +0.028 \\ +0.010 \end{matrix}$ $\begin{bmatrix} 0.1181 \\ 0.1181 \end{bmatrix}$ F8 $\begin{matrix} +.0011 \\ +.0004 \end{matrix}$ ∇ 5.00 [0.1969]



PRODUCT SPECIFICATIONS

PERFORMANCE PER 113-00133 SPECIFICATION. IN THE EVENT OF CONFLICTING INFORMATION, THIS DRAWING OVERRIDES SPECIFICATION 113-00133.

ALL DIMENSIONS ARE FOR REFERENCE ONLY

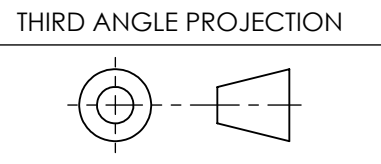
- OPERATING TEMPERATURE: 22°C
- ROTATION: CW (S TO N)
- CENTER WAVELENGTH: SEE MODEL NUMBER
- AR COATING RANGE: 1010-1080nm

APPROVED FOR MANUFACTURE

NAME	
TITLE	
COMPANY	
DATE	
SIGNATURE	

NOTICE OF PROPRIETARY RIGHTS: The technical data and/or computer software embodies confidential data including TRADE SECRETS proprietary to Electro-Optics Technology Inc. Disclosure of this data to you is expressly conditioned upon your assent that it will be limited to use within your company or the Government, for noncompetitive purposes, it will set further to be discussed, and that you will take affirmative measures to assure such protections. Any contrary use is strictly prohibited without the prior written consent of Electro-Optics Technology, Inc. and would be violation of the Trade Secrets Act. Further, this information is exempt from disclosure under the Freedom of Information Act under section (b) of 5 USC 552.

DIMENSIONS ARE IN MILLIMETERS [INCH]
 mm [INCH]
 .X ±0.3 [.XX ±0.1]
 .XX ±0.13 [.XXX ±0.005]
 .XXX ±0.013 [.XXXX ±0.0005]
 ANGLES: ±0.5°
 SURFACE FINISH:
 1.6 RMS MICRON
 [63 MICRO INCH]



NAME	ZD	DATE	4/1/2019
DRAWN			
CHKD	SEE PLEX WORKFLOW FOR APPROVALS		
ENG			
MATL: ASSEMBLY			
FINISH 1: NA			
FINISH 2: NA			

EOT Electro-Optics Technology, Inc.

NAME: ROTATOR, 4mm CA
CUSTOMER INTERFACE DRAWING

SIZE	SCALE	1:1	DRAWING NO.	REV
C	SHEET	1 OF 1	110-21043-0003	B