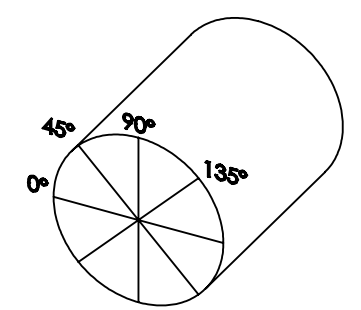
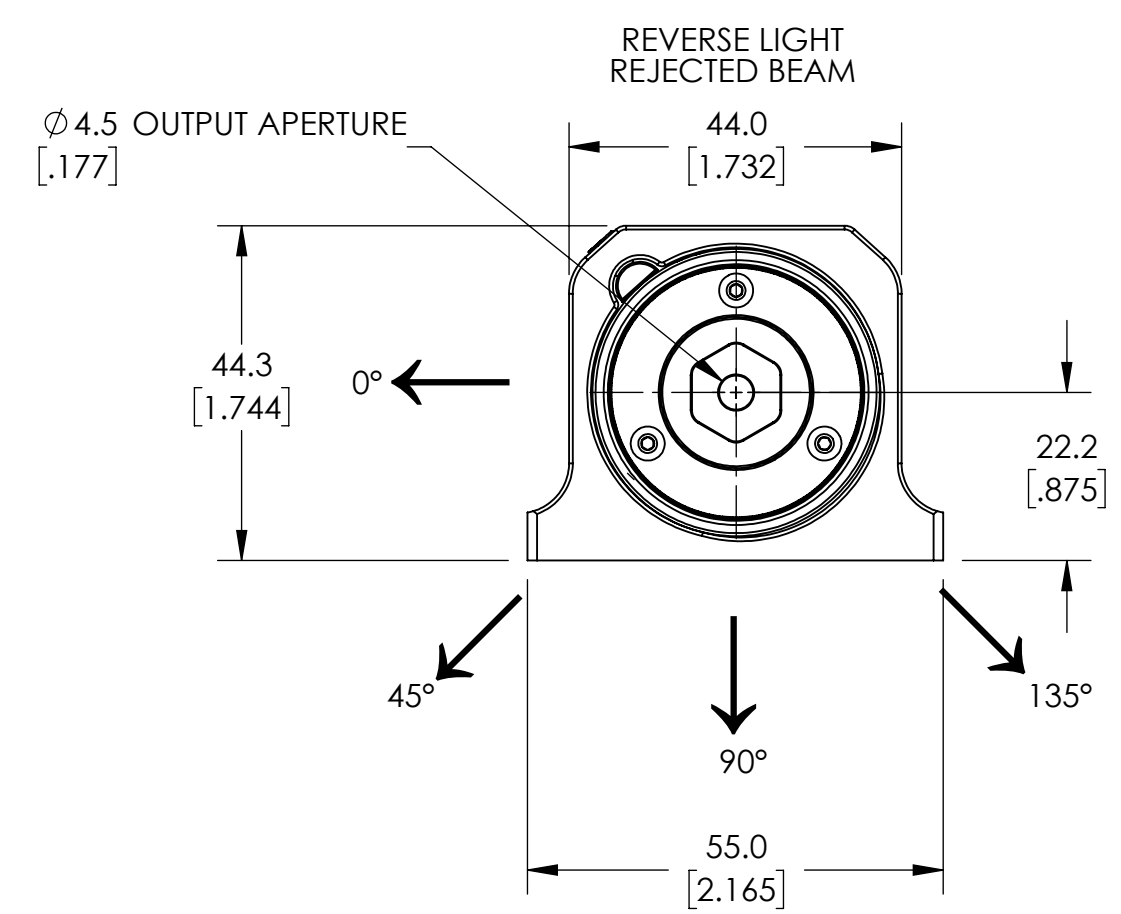
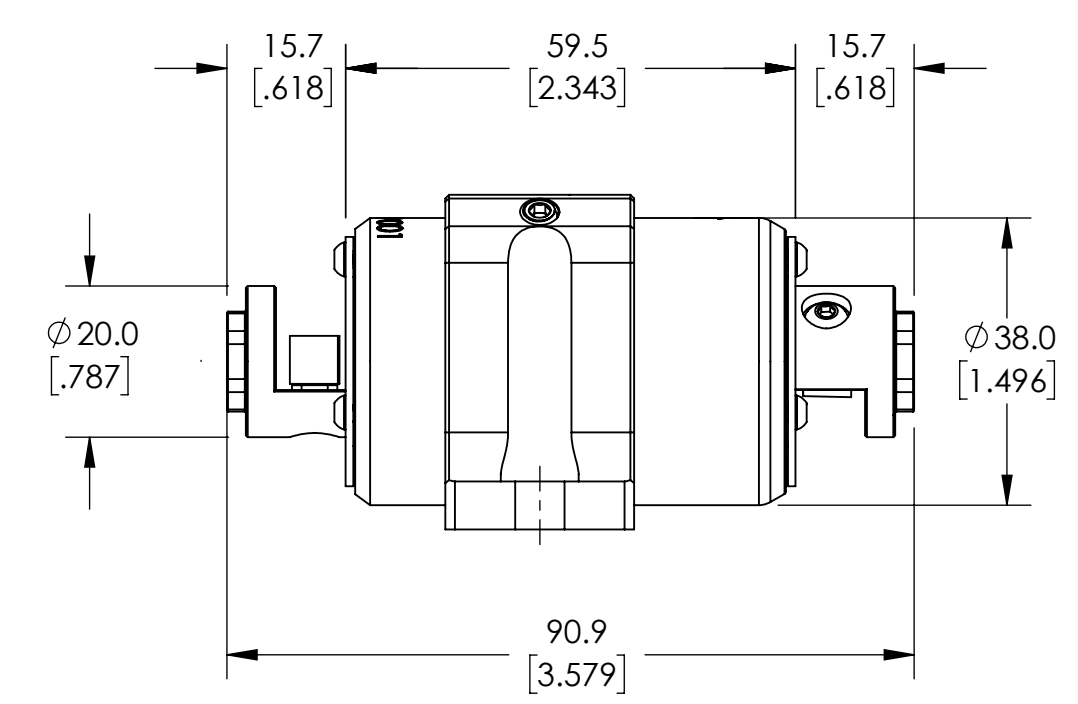
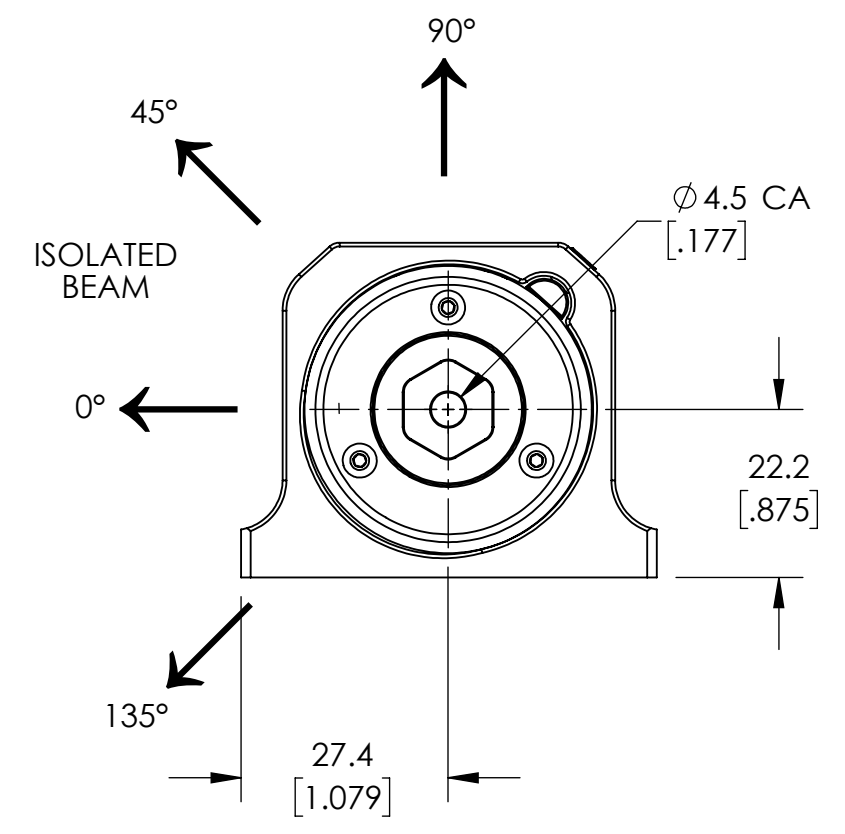
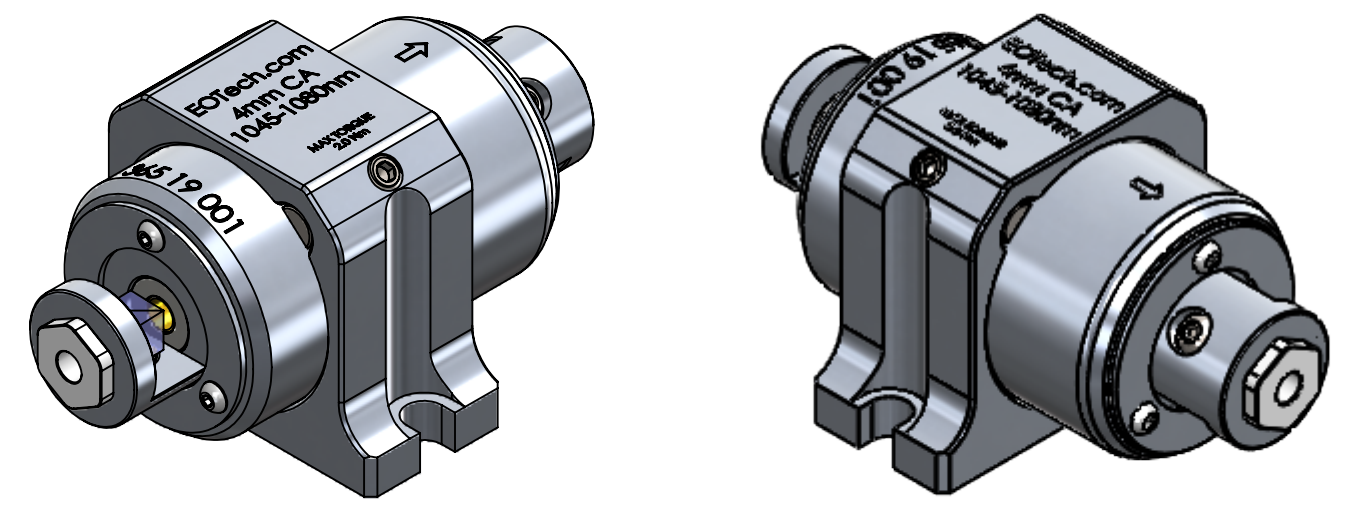
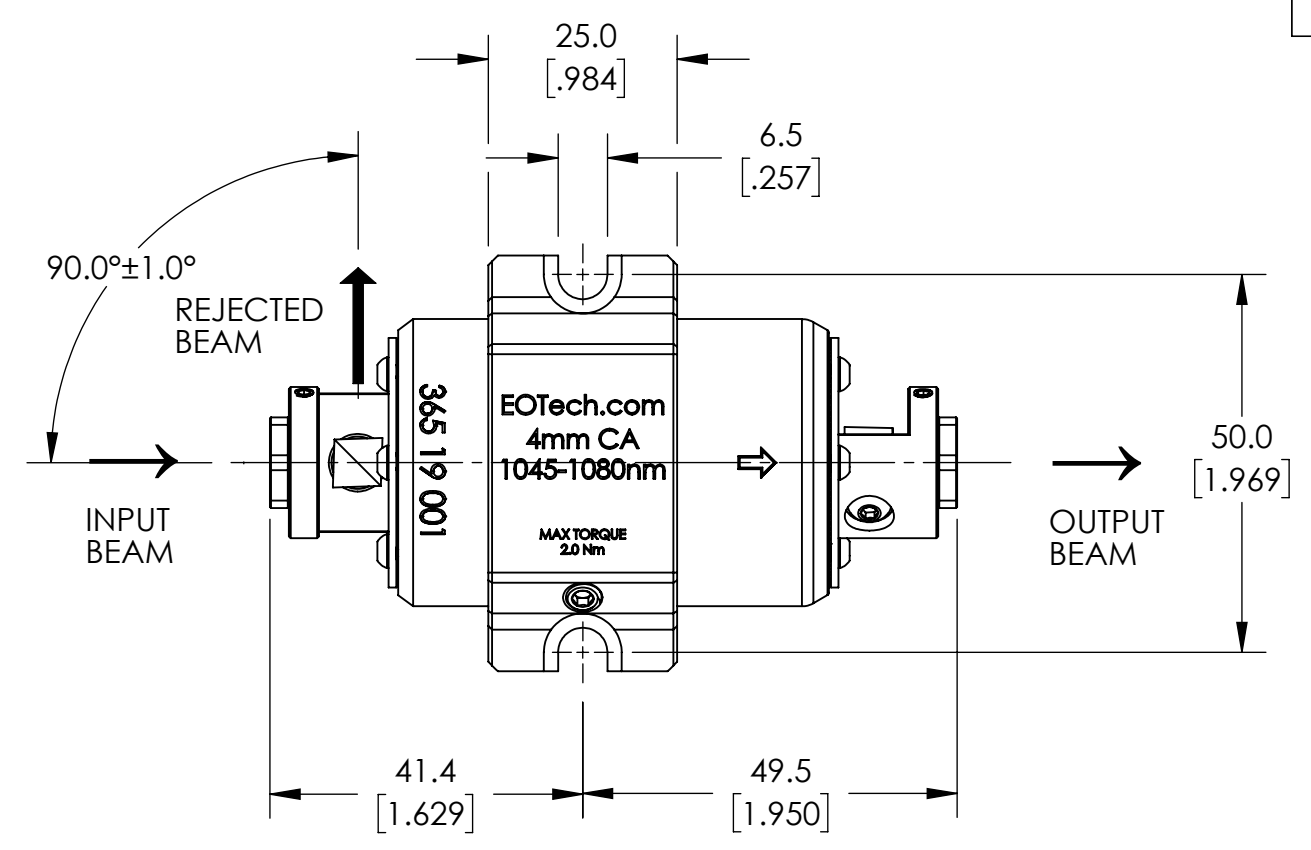
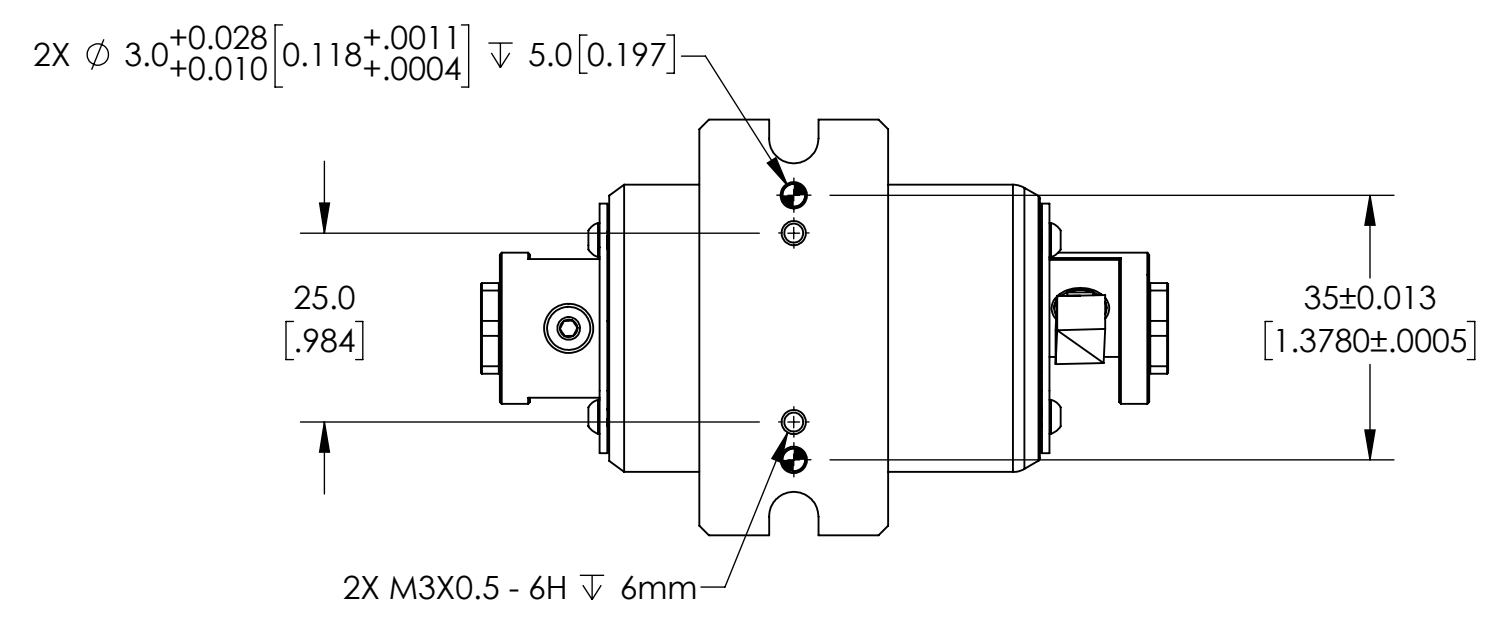


ZONE	ECN	REV.	DESCRIPTION	DATE	APPROVED
		1	INITIAL RELEASE	9/1/20	



POLARIZATION ORIENTATION REFERENCE



PRODUCT SPECIFICATIONS (PRELIMINARY)  
 PERFORMANCE PER 113-00139 SPECIFICATION. IN THE EVENT OF CONFLICTING INFORMATION, THIS DRAWING OVERRIDES SPECIFICATION 113-00139.  
 ALL DIMENSIONS ARE FOR REFERENCE ONLY

- OPERATING TEMPERATURE: 22°C
- ROTATION: CW (S TO N)
- CENTER WAVELENGTH: 1064nm
- AR COATING RANGE: 1045-1080nm

APPROVED FOR MANUFACTURE

NAME	
TITLE	
COMPANY	
DATE	
SIGNATURE	

NOTICE OF PROPRIETARY RIGHTS: The technical data and/or computer software embodies confidential data including TRADE SECRETS proprietary to Electro-Optics Technology Inc. Disclosure of this data to you is expressly conditioned upon your assent that it will be limited to use within your company or the Government, for non-competitive purposes, it will set further to be discussed, and that you will take affirmative measures to assure such protections. Any contrary use is strictly prohibited without the prior written consent of Electro-Optics Technology, Inc. and would be violation of the Trade Secrets Act. Further, this information is exempt from disclosure under the Freedom of Information Act under section (b) of 5 USC 552.

DIMENSIONS ARE IN MILLIMETERS [INCH]  
 mm [INCH]  
 .X ±0.3 [.XX ±0.1]  
 .XX ±0.13 [.XXX ±0.005]  
 .XXX ±0.013 [.XXXX ±0.0005]  
 ANGLES: ±0.5°  
 SURFACE FINISH:  
 1.6 RMS MICRON  
 [63 MICRO INCH]  
 THIRD ANGLE PROJECTION

NAME	DATE
DRAWN	ZD 9/1/2020
CHKD	SEE PLEX WORKFLOW FOR APPROVALS
ENG	
MATL:	ASSEMBLY
FINISH 1:	NA
FINISH 2:	NA

**EOT** Electro-Optics Technology, Inc.

NAME: ISOLATOR, 4mm CA, 1045-1080nm, ULTRA  
 CUSTOMER INTERFACE DRAWING

SIZE: C SCALE: 1:1 SHEET: 1 OF 1

DRAWING NO. 110-23042-0001 REV 1