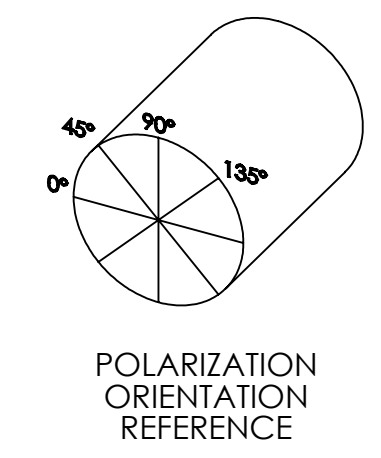
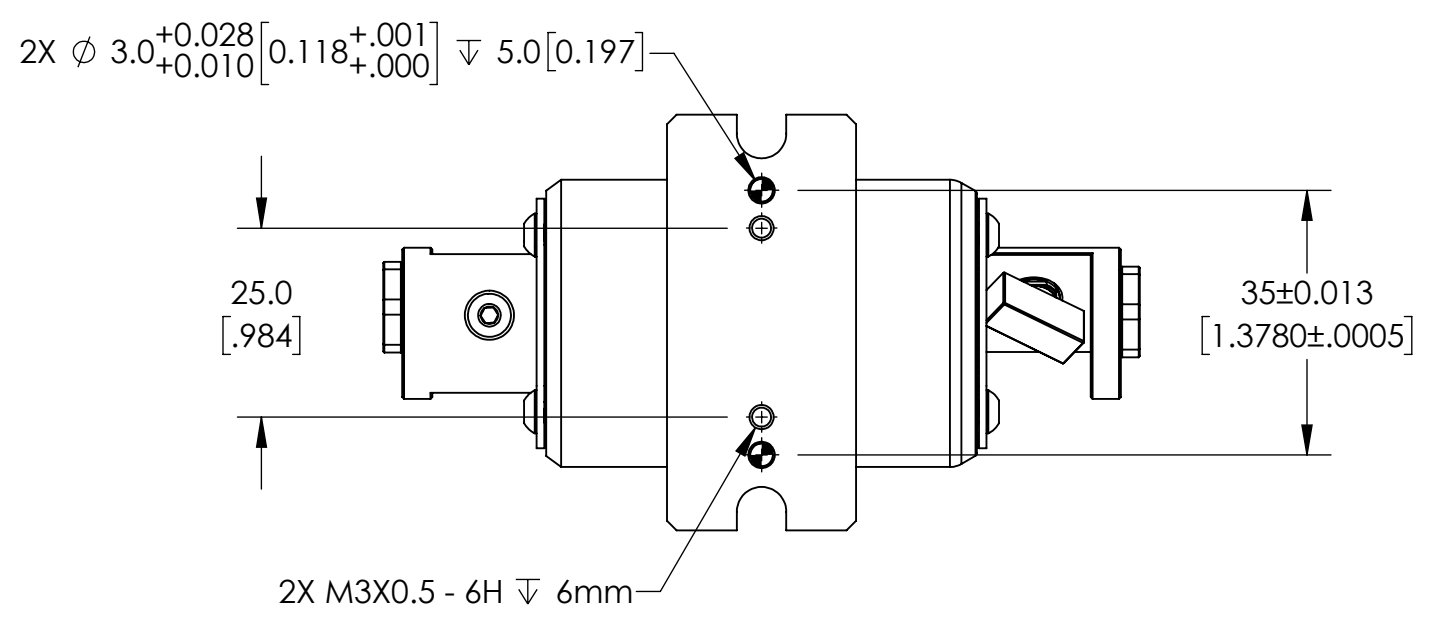
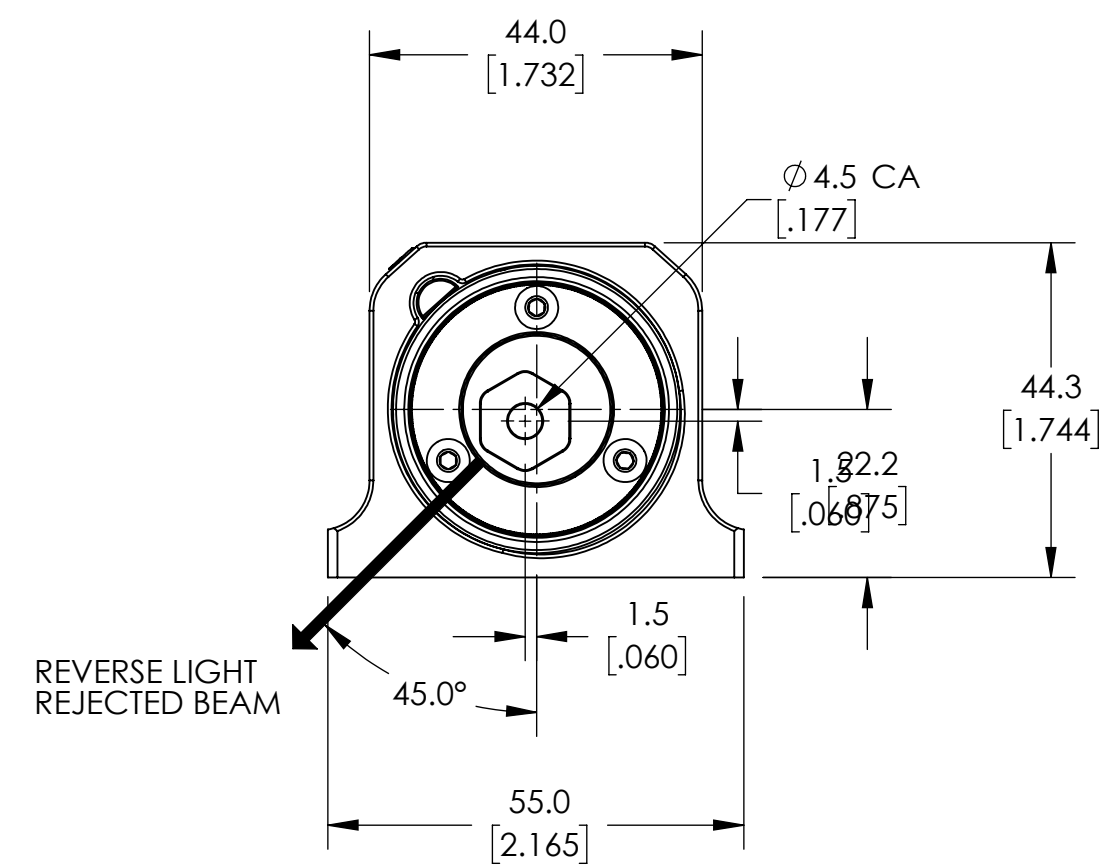
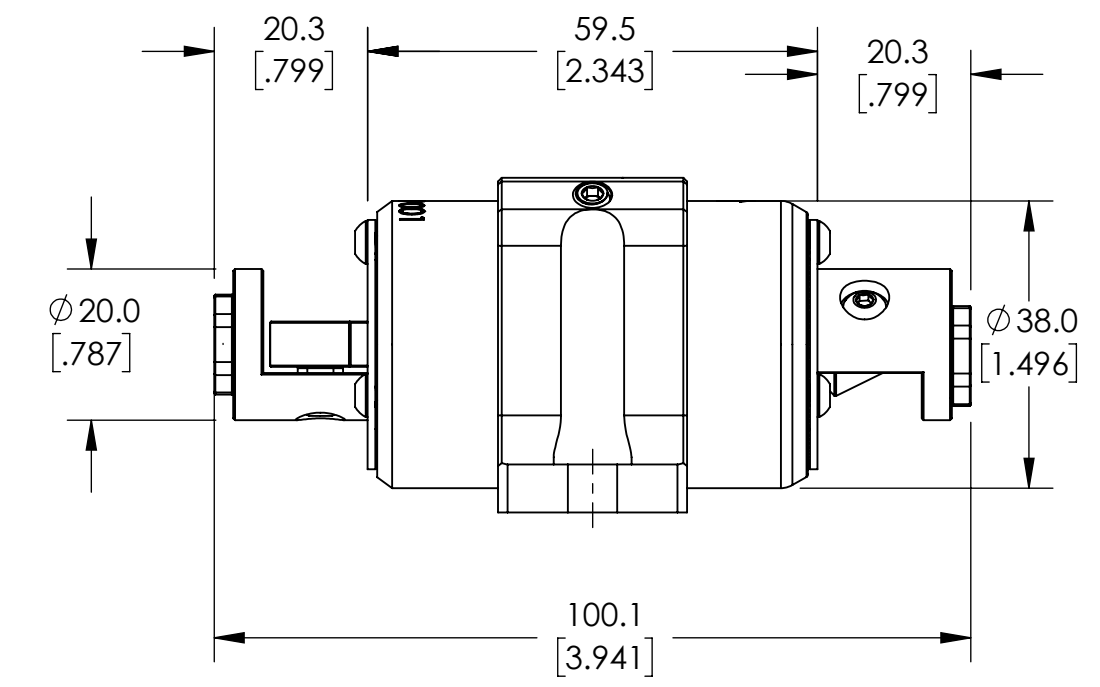
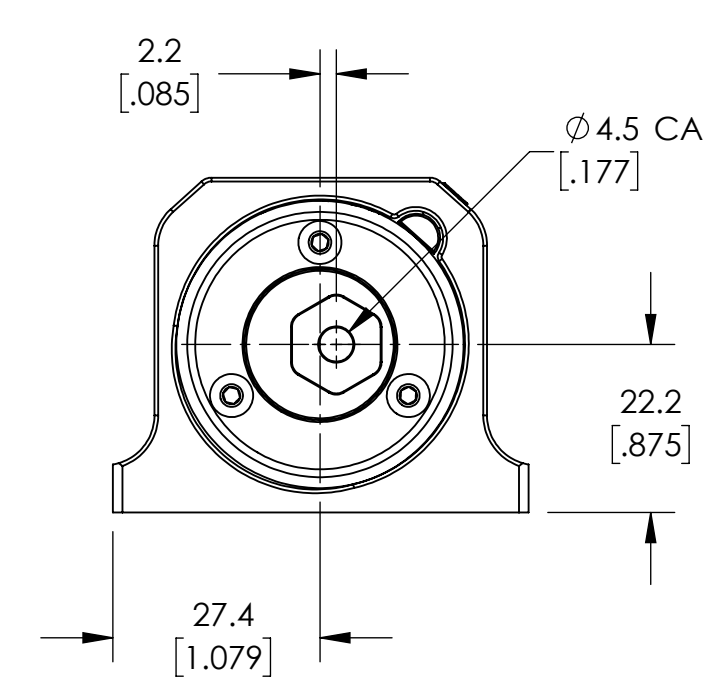
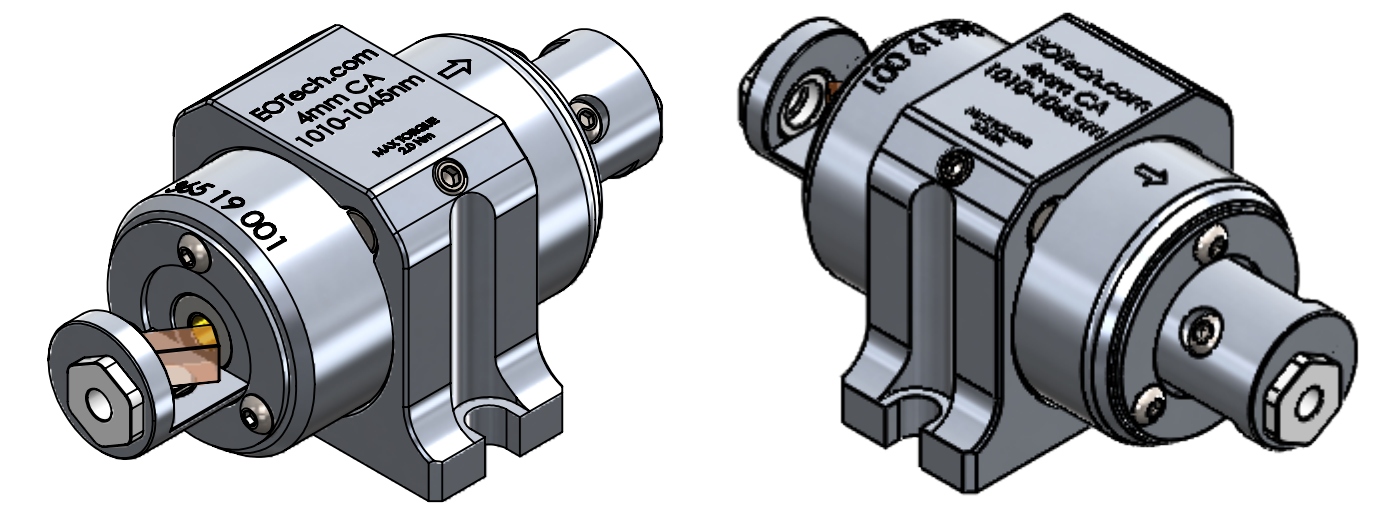
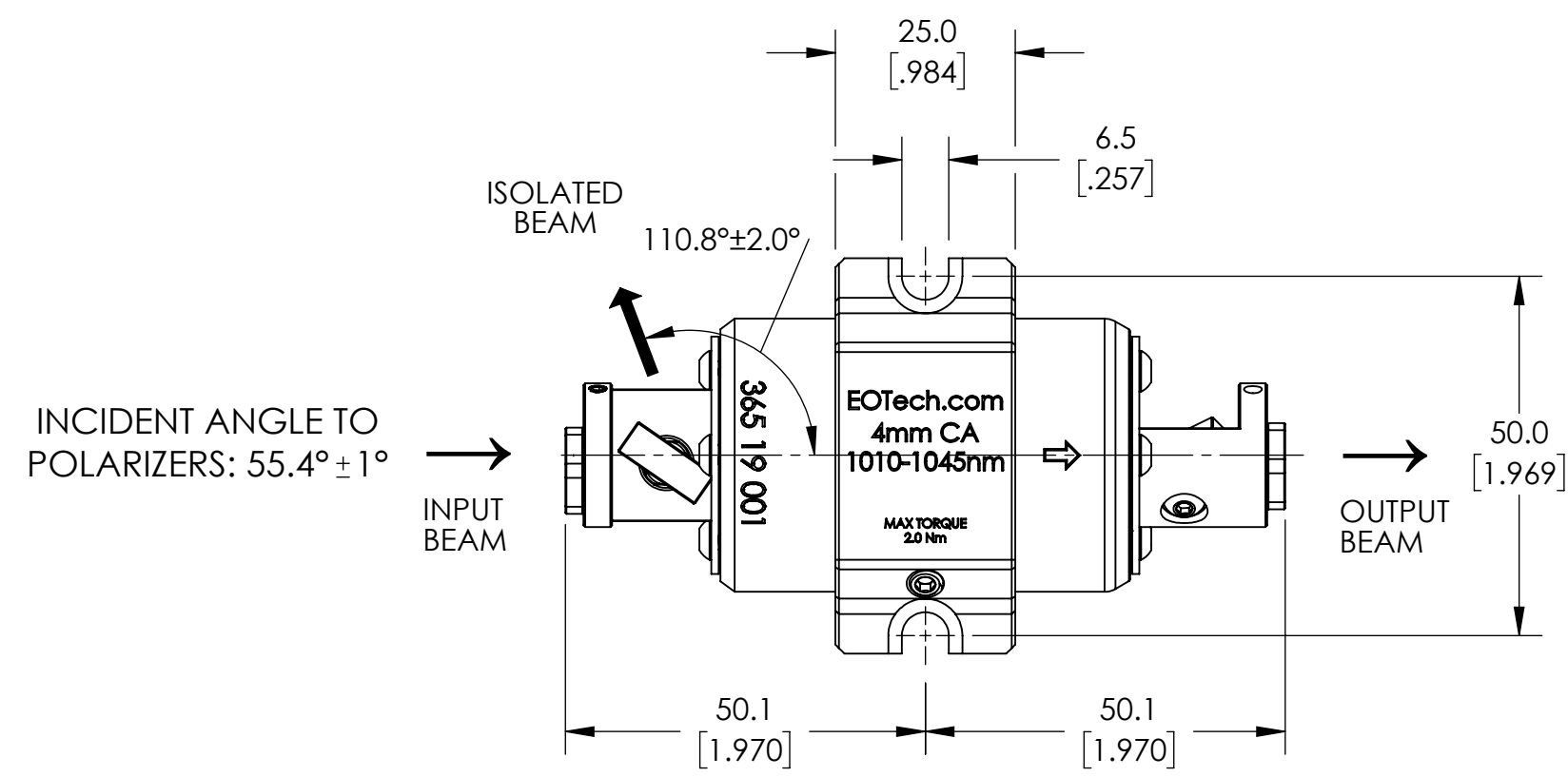


ZONE	ECN	REV.	DESCRIPTION	DATE	APPROVED
		1	INITIAL RELEASE	11/15/19	
		2	ADDED BEAM DEGREE TOLERANCES	3/30/2020	



PRODUCT SPECIFICATIONS (PRELIMINARY)  
 PERFORMANCE PER 113-00139 SPECIFICATION. IN THE EVENT OF CONFLICTING INFORMATION, THIS DRAWING OVERRIDES SPECIFICATION 113-00139.  
 ALL DIMENSIONS ARE FOR REFERENCE ONLY

- OPERATING TEMPERATURE: 22°C
- ROTATION: CW (S TO N)
- CENTER WAVELENGTH: 1030nm
- AR COATING RANGE: 1010-1045nm

APPROVED FOR MANUFACTURE		NOTICE OF PROPRIETARY RIGHTS: The technical data and/or computer software embodies confidential data including TRADE SECRETS proprietary to Electro-Optics Technology Inc. Disclosure of this data to you is expressly conditioned upon your assent that it will be limited to use within your company or the Government, for noncompetitive purposes, it will set further to be discussed, and that you will take affirmative measures to assure such protections. Any contrary use is strictly prohibited without the prior written consent of Electro-Optics Technology, Inc. and would be violation of the Trade Secrets Act. Further, this information is exempt from disclosure under the Freedom of Information Act under section (b) of 5 USC 552.	DIMENSIONS ARE IN MILLIMETERS [INCH]		NAME	DATE	Electro-Optics Technology, Inc.	ISOLATOR, 4mm CA, 1010-1045nm, ULTRA CUSTOMER INTERFACE DRAWING		
NAME			.X ±0.3 [XX ±.01]	.XX ±0.13 [XXX ±.005]	DRAWN	ZD		11/15/2019	DRAWING NO. 110-23044-0001	
TITLE			.XXX ±0.013 [XXXX ±.0005]	ANGLES: ±0.5°	CHKD	SEE PLEX WORKFLOW FOR APPROVALS		REV 2		
COMPANY			SURFACE FINISH: 1.6 RMS MICRON [63 MICRO INCH]	THIRD ANGLE PROJECTION	ENG	MATERIAL: ASSEMBLY		DRAWING NO. 110-23044-0001		
DATE					FINISH 1: NA			DRAWING NO. 110-23044-0001		REV 2
SIGNATURE				FINISH 2: NA		DRAWING NO. 110-23044-0001		REV 2		