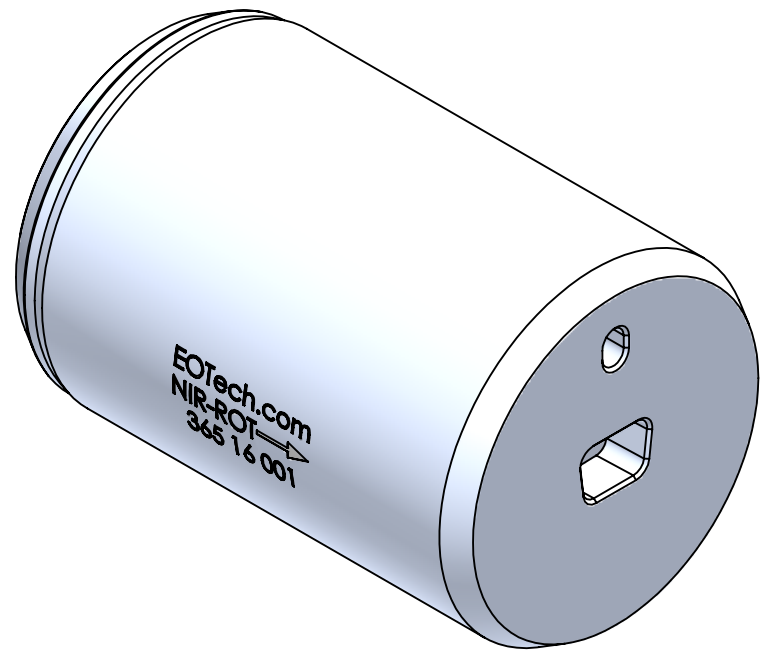
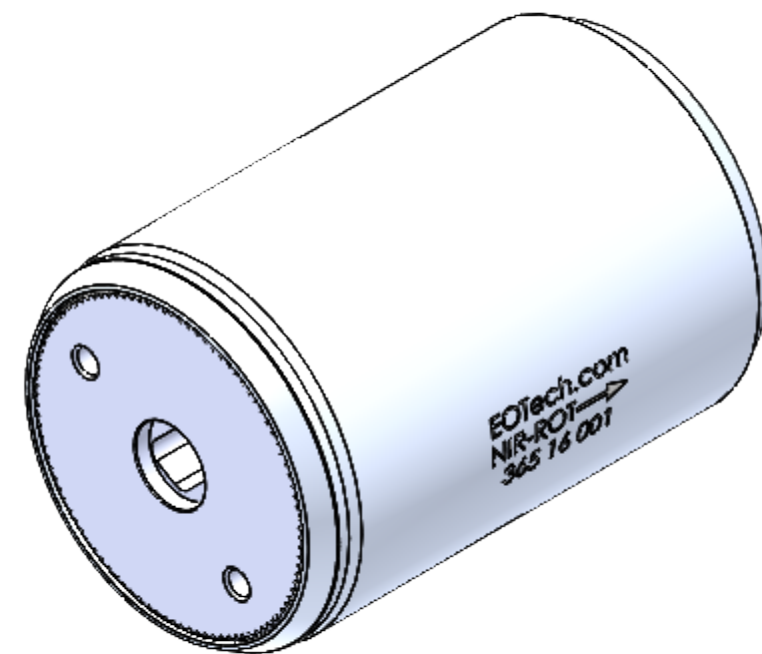
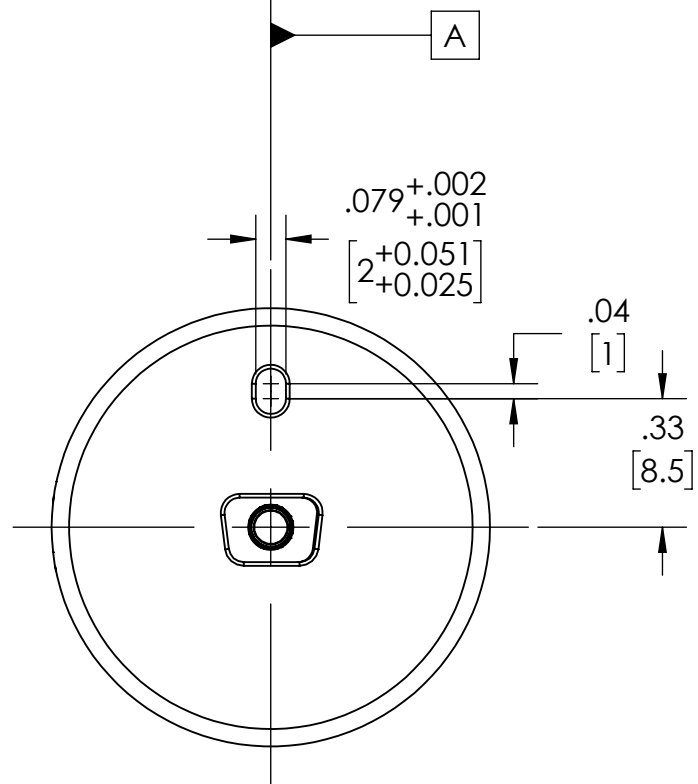
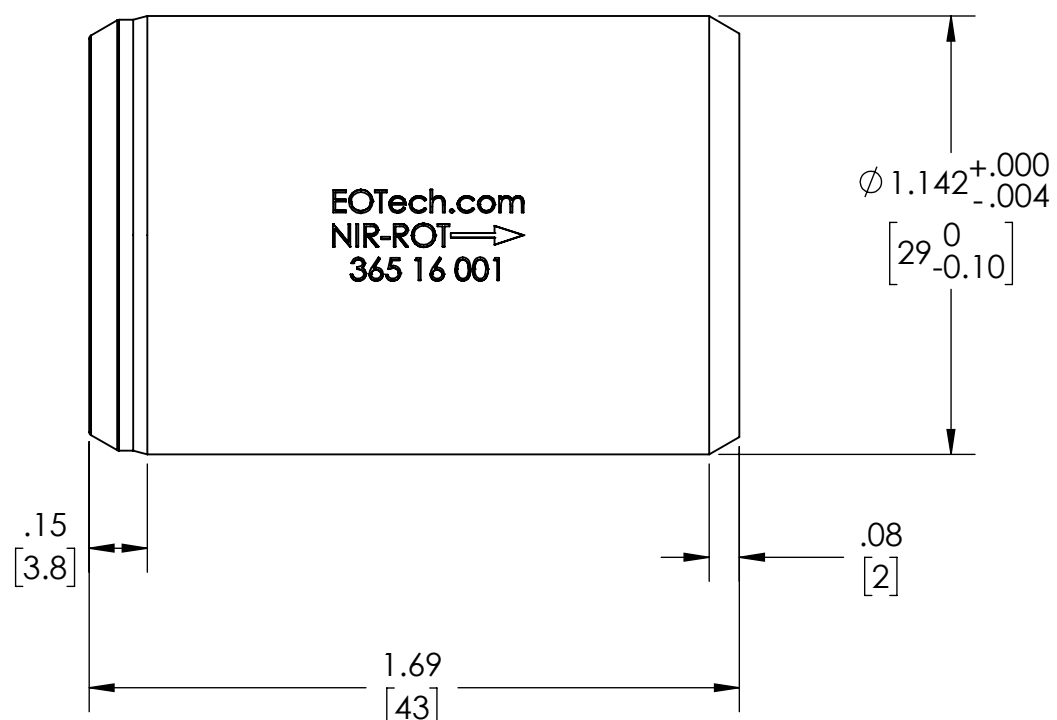
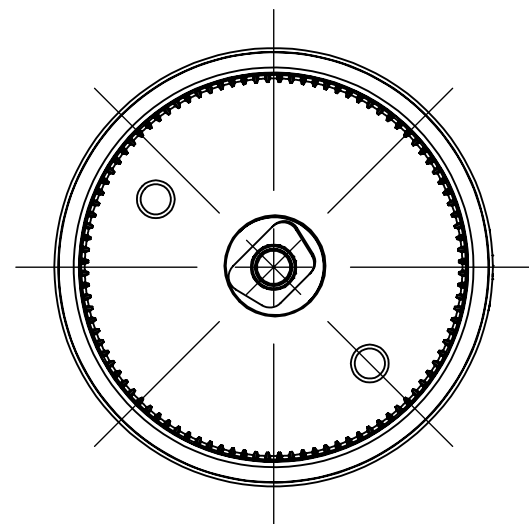


| ZONE | ECN | REV. | DESCRIPTION | DATE    | APPROVED |
|------|-----|------|-------------|---------|----------|
|      |     | A    | RELEASED    | 6/10/19 |          |



**PRODUCT SPECIFICATIONS**

SHALL COMPLY WITH COMPONENT SPECIFICATION 113-25000-01. IF CONFLICTS EXIST THIS DRAWING TAKES PRECEDENCE.

NOTE: ALL DIMENSIONS ARE FOR REFERENCE ONLY.

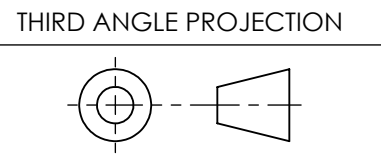
- ≥ 98% TRANSMISSION
- ≥ 33dB EXTINCTION
- 45° ± 2° ROTATION
- ∅2mm CLEAR APERTURE
- DESIGN WL: 1064nm
- DESIGN TEMP: 22°C

APPROVED FOR MANUFACTURE

|           |  |
|-----------|--|
| NAME      |  |
| TITLE     |  |
| COMPANY   |  |
| DATE      |  |
| SIGNATURE |  |

NOTICE OF PROPRIETARY RIGHTS: The technical data and/or computer software embodies confidential data including TRADE SECRETS proprietary to Electro-Optics Technology Inc. Disclosure of this data to you is expressly conditioned upon your assent that it will be limited to use within your company or the Government, for noncompetitive purposes, it will set further to be discussed, and that you will take affirmative measures to assure such protections. Any contrary use is strictly prohibited without the prior written consent of Electro-Optics Technology, Inc. and would be violation of the Trade Secrets Act. Further, this information is exempt from disclosure under the Freedom of Information Act under section (b) of 5 USC 552.

DIMENSIONS ARE IN INCHES [mm]  
 INCH [mm]  
 .XX ±.01 [.X ±0.3]  
 .XXX ±.005 [.XX ±0.13]  
 .XXXX ±.0005 [.XXX ±0.013]  
 ANGLES: ±0.5°  
 SURFACE FINISH:  
 63 MICRO INCH  
 [1.6 RMS MICRON]



|                    | NAME | DATE      |
|--------------------|------|-----------|
| DRAWN              | ZD   | 6/10/2019 |
| CHKD               |      |           |
| ENG                |      |           |
| MATERIAL: ASSEMBLY |      |           |
| FINISH 1: NA       |      |           |
| FINISH 2: NA       |      |           |

**EOT** Electro-Optics Technology, Inc.  
 NAME  
 2mm CA, NIR ROTATOR LARGER, 1064nm  
 CUSTOMER INTERFACE DRAWING

|          |              |                |          |
|----------|--------------|----------------|----------|
| SIZE     | SCALE 2:1    | DRAWING NO.    | REV      |
| <b>C</b> | SHEET 1 OF 1 | 110-25021-0003 | <b>A</b> |