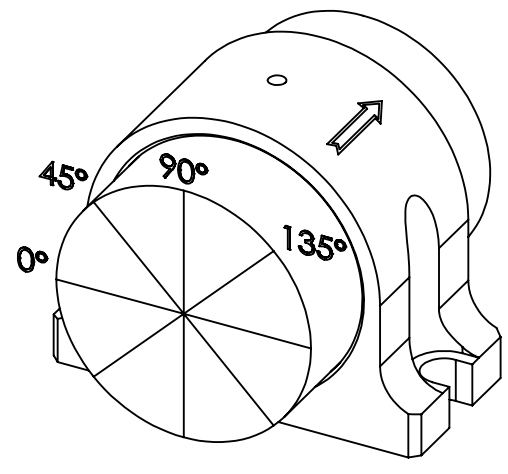
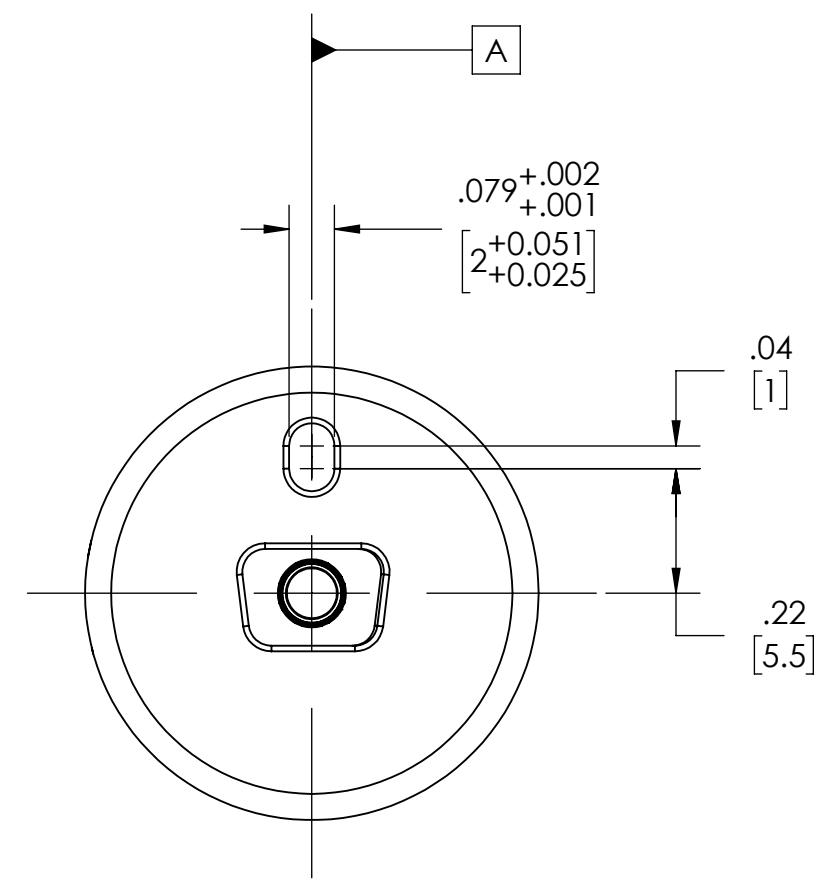
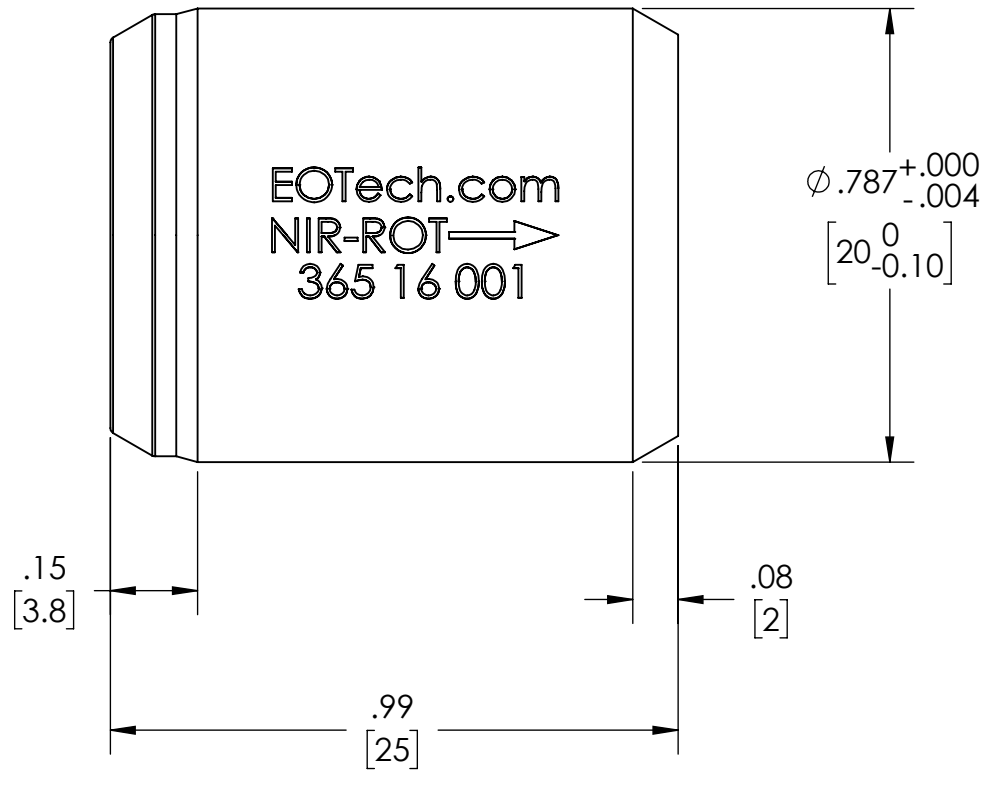
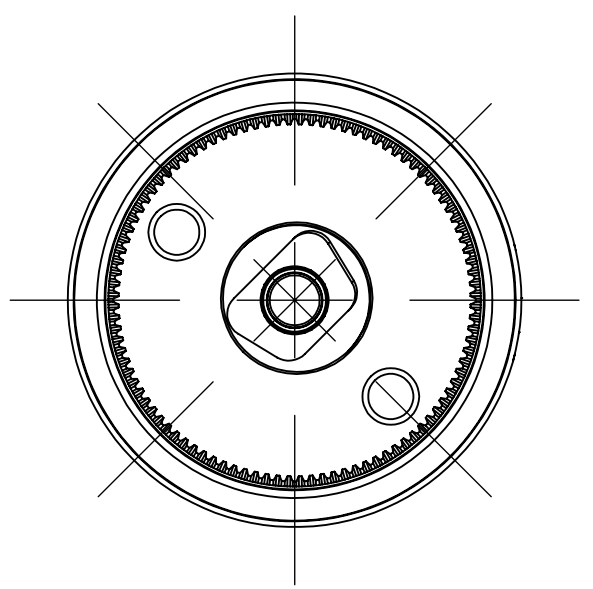
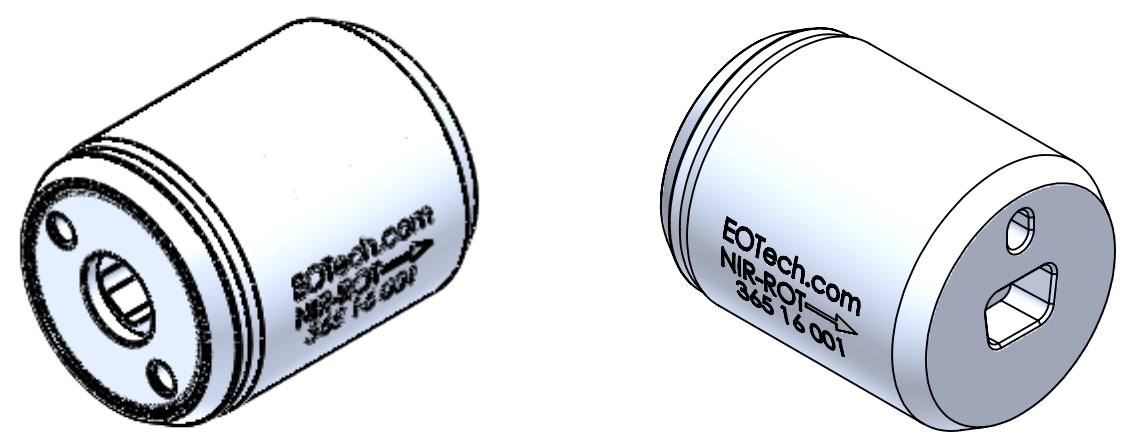


ZONE	ECN	REV.	DESCRIPTION	DATE	APPROVED
		A	RELEASED	9/17/18	
	283	B	DESIGN WL IS NOW "SEE MODEL NUMBER" INSTEAD OF SPECIFIC WL	11/30/2018	



POLARIZATION ORIENTATION REFERENCE



PRODUCT SPECIFICATIONS

ALL DIMENSIONS ARE FOR REFERENCE ONLY.

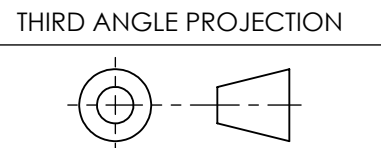
- > 36dB EXTINCTION
- > 98% TRANSMISSION
- ROTATION +45° ± 2°
- $\phi$  2mm CLEAR APERTURE
- DESIGN WL: SEE MODEL NUMBER
- DESIGN TEMP: 22°C

APPROVED FOR MANUFACTURE

NAME	
TITLE	
COMPANY	
DATE	
SIGNATURE	

NOTICE OF PROPRIETARY RIGHTS: The technical data and/or computer software embodies confidential data including TRADE SECRETS proprietary to Electro-Optics Technology Inc. Disclosure of this data to you is expressly conditioned upon your assent that it will be limited to use within your company or the Government, for noncompetitive purposes, it will set further to be discussed, and that you will take affirmative measures to assure such protections. Any contrary use is strictly prohibited without the prior written consent of Electro-Optics Technology, Inc. and would be violation of the Trade Secrets Act. Further, this information is exempt from disclosure under the Freedom of Information Act under section (b) of 5 USC 552.

DIMENSIONS ARE IN INCHES [mm]  
 INCH [mm]  
 .XX ±.01 [.X ±0.3]  
 .XXX ±.005 [.XX ±0.13]  
 .XXXX ±.0005 [.XXX ±0.013]  
 ANGLES: ±0.5°  
 SURFACE FINISH:  
 63 MICRO INCH  
 [1.6 RMS MICRON]



	NAME	DATE
DRAWN	ZD	10/17/2018
CHKD		
ENG		
MATERIAL: ASSEMBLY		
FINISH 1: NA		
FINISH 2: NA		

**EOT** Electro-Optics Technology, Inc.

NAME: 2mm CA, NIR ROT  
 CUSTOMER INTERFACE DRAWING

SIZE: C	SCALE: 3:1	DRAWING NO.: 110-25027-0013	REV: B
SHEET 1 OF 1			