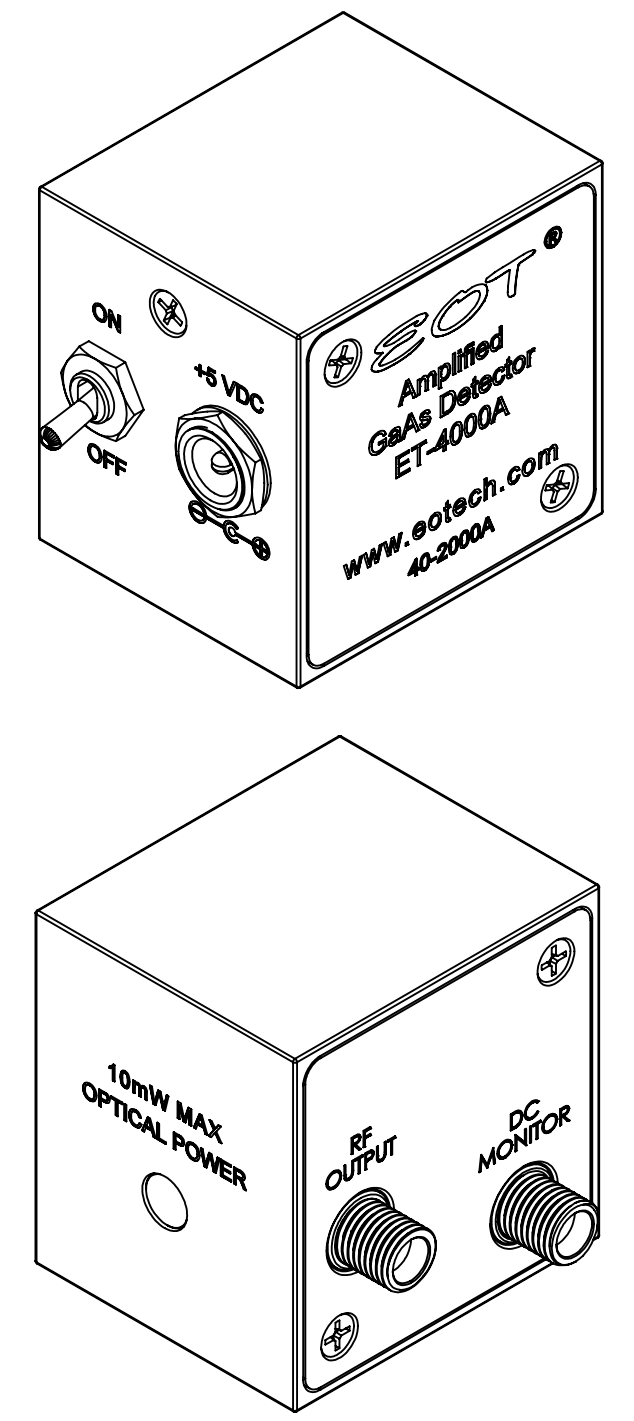
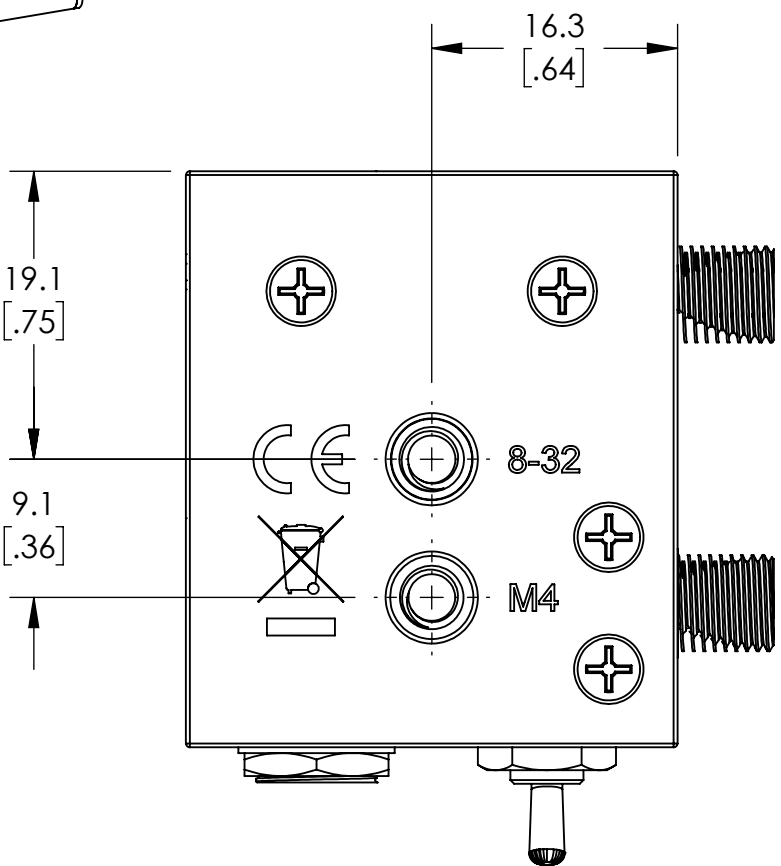
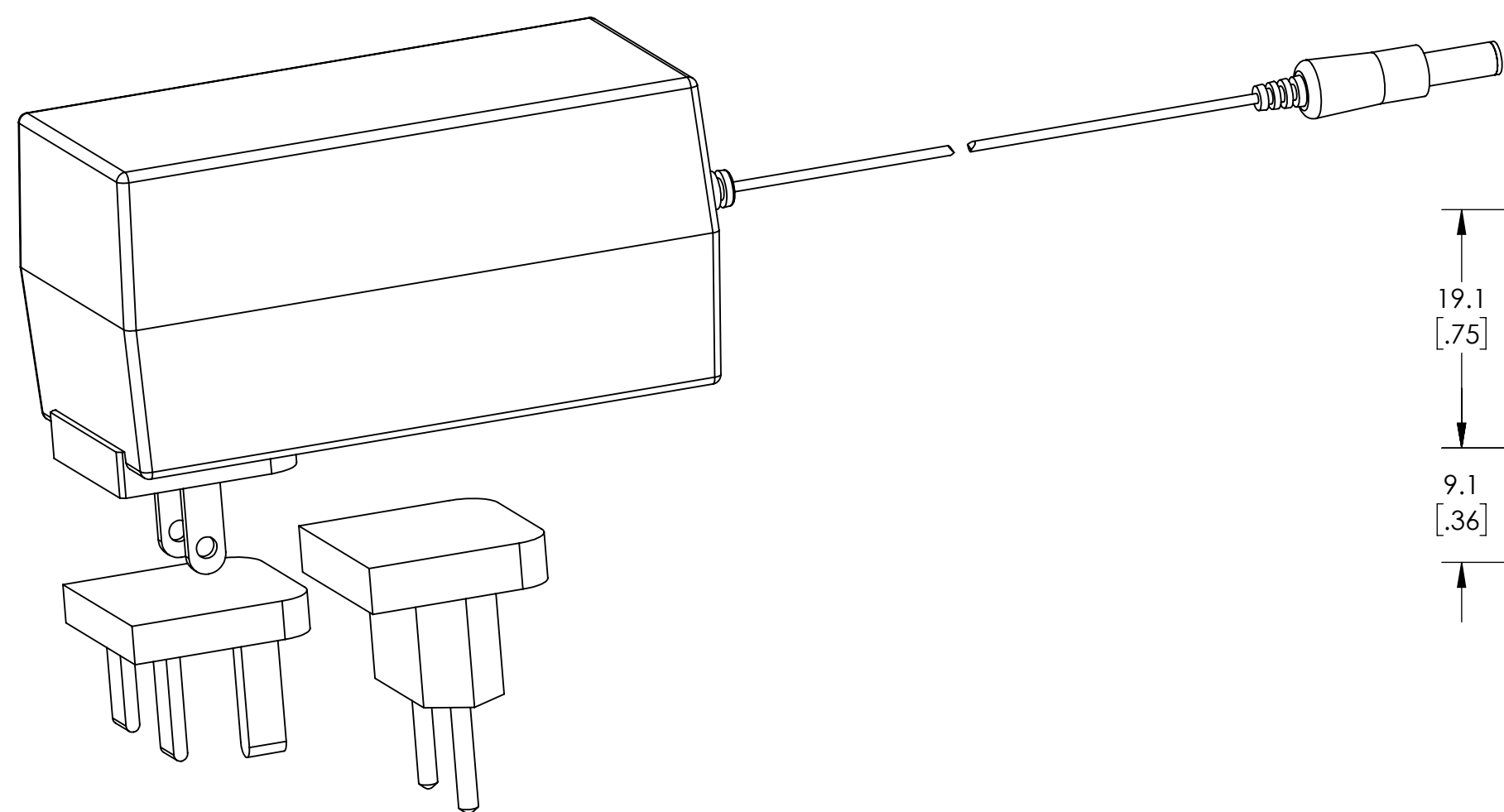
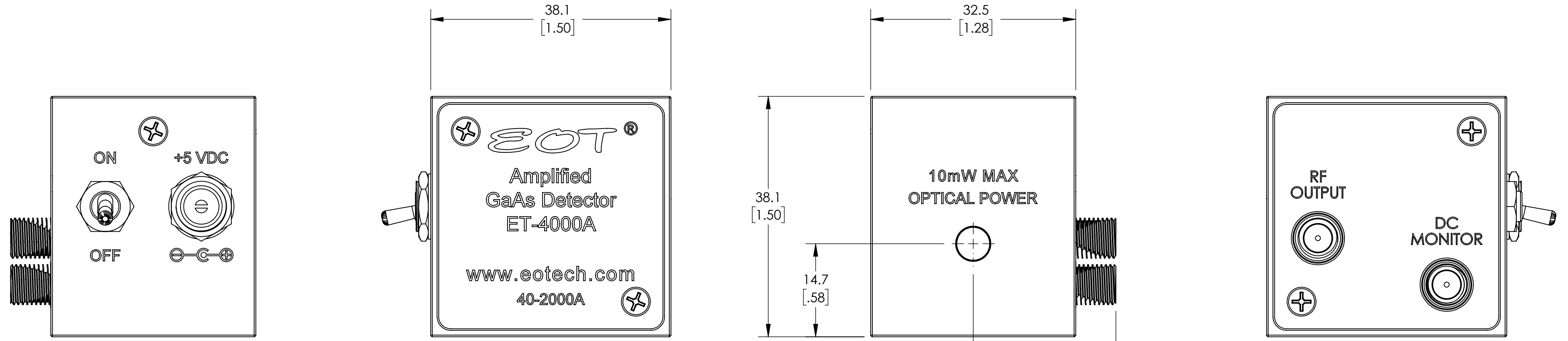


ZONE	ECN	REV.	DESCRIPTION	DATE	APPROVED
		A	RELEASED	07/17/17	



PRODUCT SPECIFICATIONS:

NOTE: ALL DIMENSIONS ARE FOR REFERENCE ONLY

- PERFORMANCE PER 113-00070 PECIFICATION. IN THE EVENT OF CONFLICTING INFORMATION, THIS DRAWING OVERRIDES SPECIFICATION 113-00070.

APPROVED FOR MANUFACTURE

NAME	
TITLE	
COMPANY	
DATE	
SIGNATURE	

NOTICE OF PROPRIETARY RIGHTS: The technical data and/or computer software embodies confidential data including TRADE SECRETS proprietary to Electro-Optics Technology Inc. Disclosure of this data to you is expressly conditioned upon your assent that it will be limited to use within your company or the Government, for noncompetitive purposes, it will set further to be discussed, and that you will take affirmative measures to assure such protections. Any contrary use is strictly prohibited without the prior written consent of Electro-Optics Technology, Inc. and would be violation of the Trade Secrets Act. Further, this information is exempt from disclosure under the Freedom of Information Act under section (b) of 5 USC 552.

DIMENSIONS ARE IN MILLIMETERS [INCH]

mm	[INCH]
.X ±0.3	[.XX ±.01]
.XX ±0.13	[.XXX ±.005]
.XXX ±0.013	[.XXXX ±.0005]

ANGLES: ±0.5°
 SURFACE FINISH:
 1.6 RMS MICRON
 [63 MICRO INCH]

THIRD ANGLE PROJECTION

	NAME	DATE
DRAWN	JEA	4/21/17
CHKD		
ENG	JW	4/21/17
MATL:		
FINISH 1:		
FINISH 2:		

EOT Electro-Optics Technology, Inc.

NAME: DETECTOR, AMP, GaAs, >10GHz
 CUSTOMER INTERFACE DRAWING

SIZE: C	SCALE: 2:1	DRAWING NO.: 120-10073-0001	REV: A
	SHEET 1 OF 1		