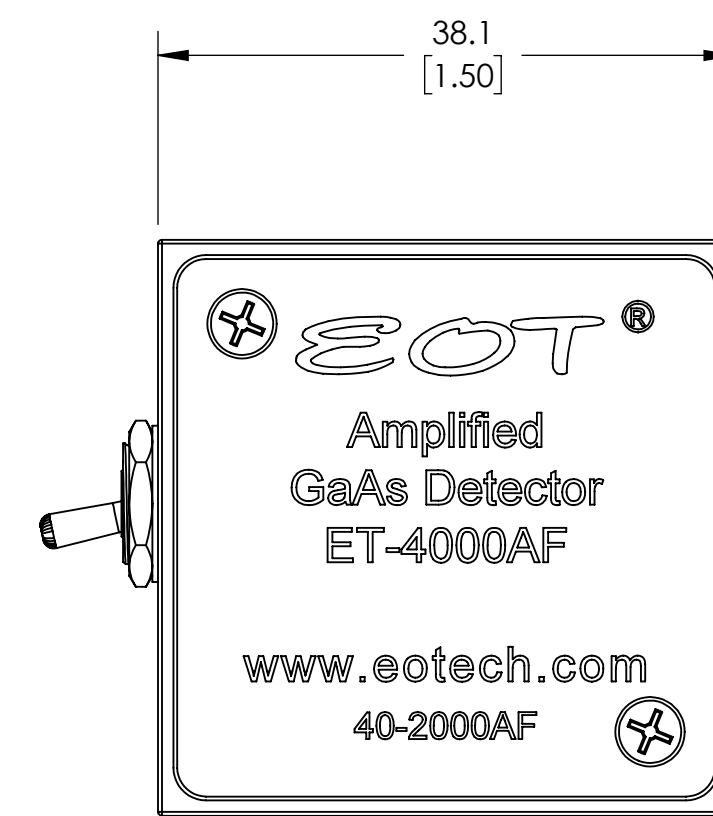
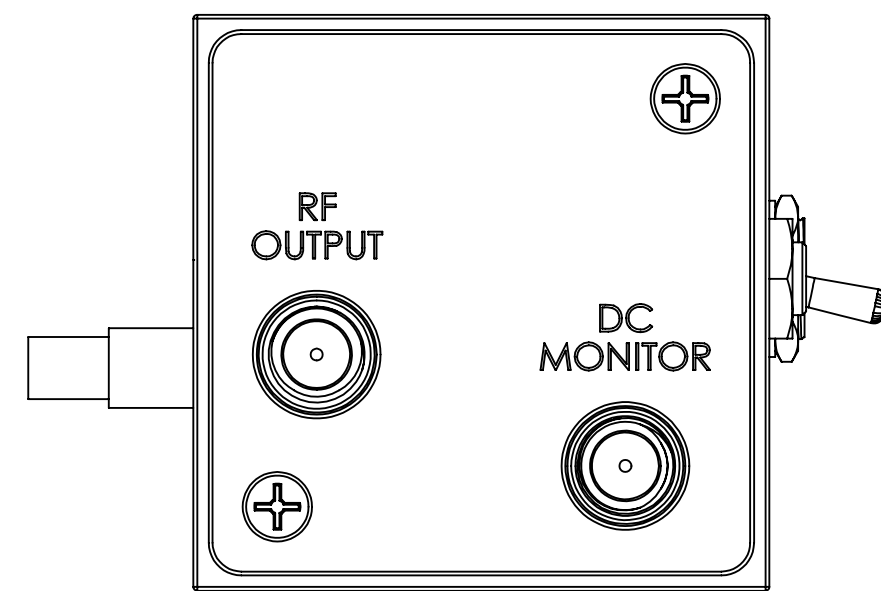
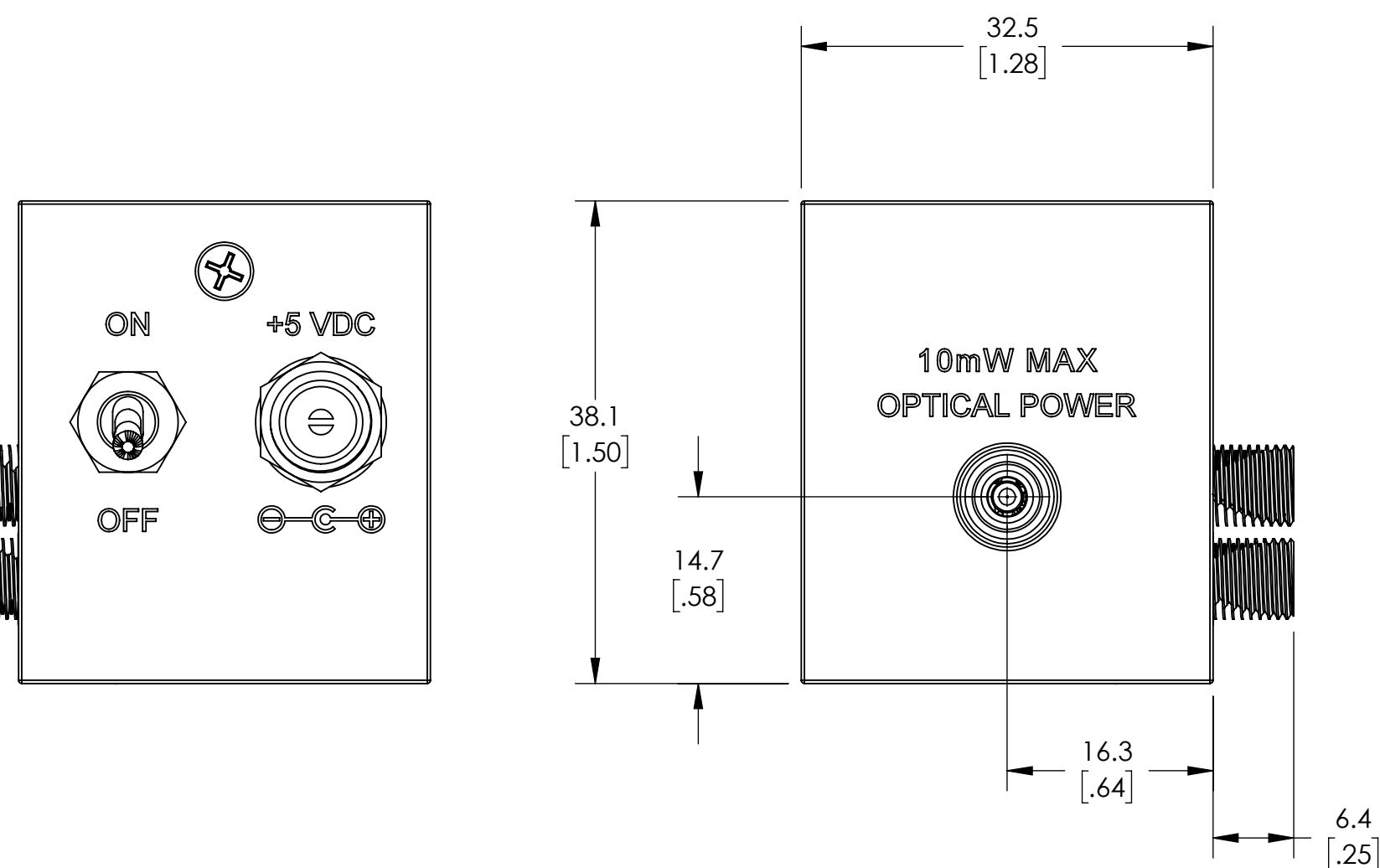
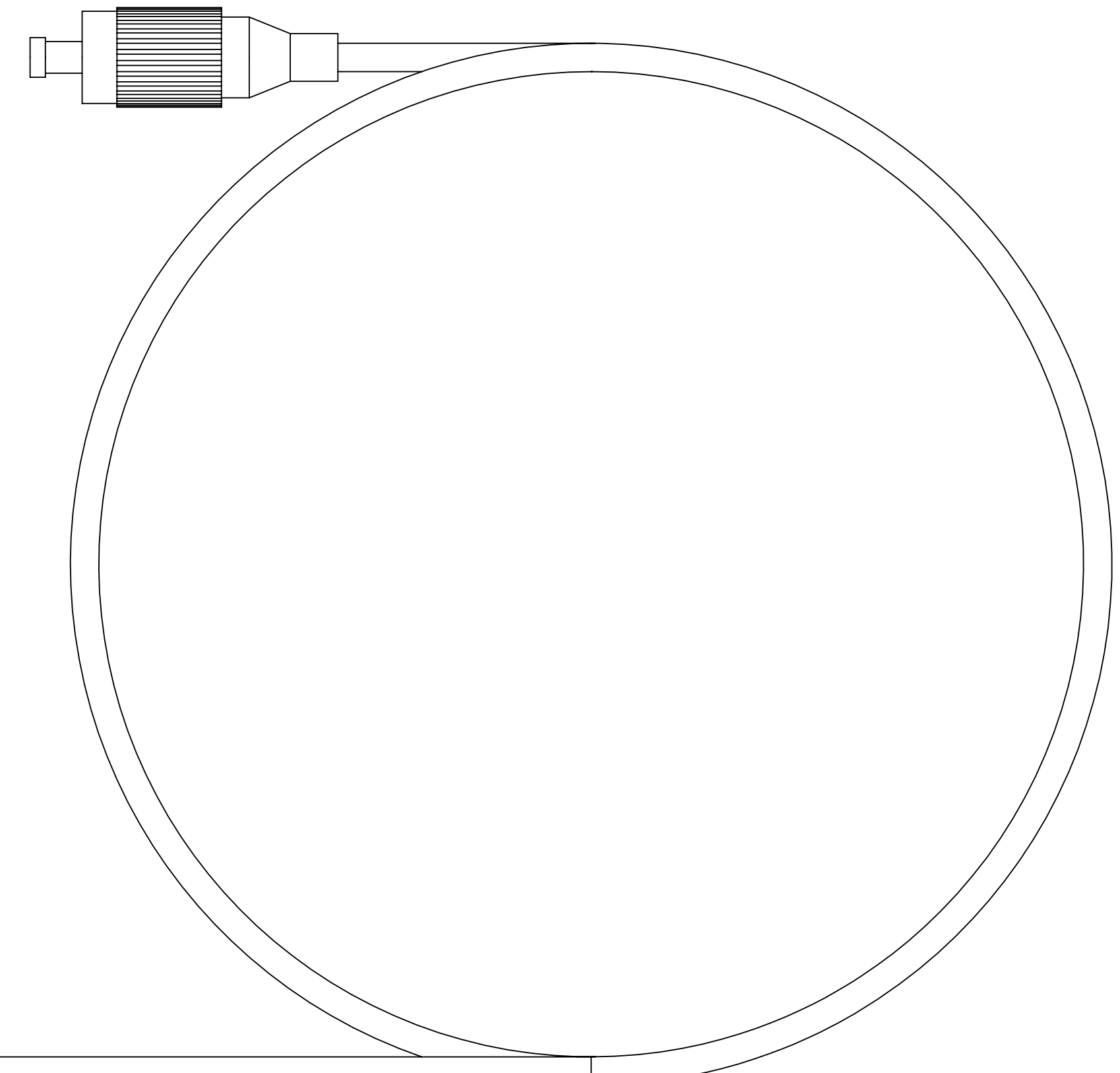
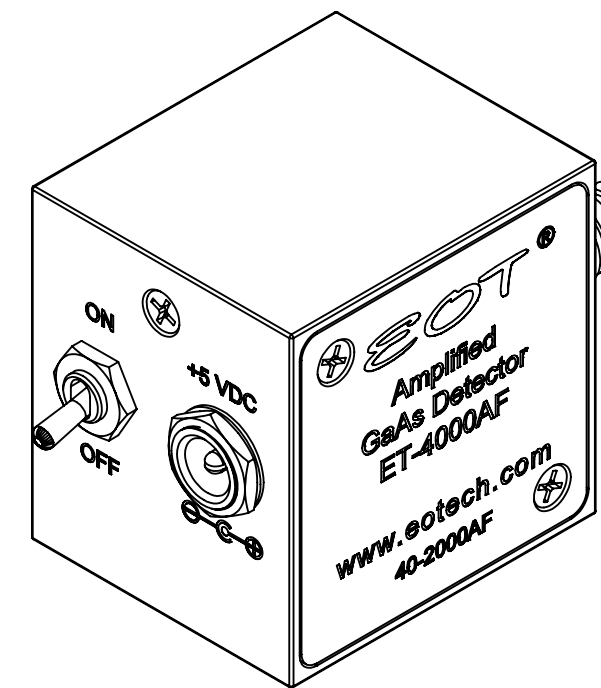
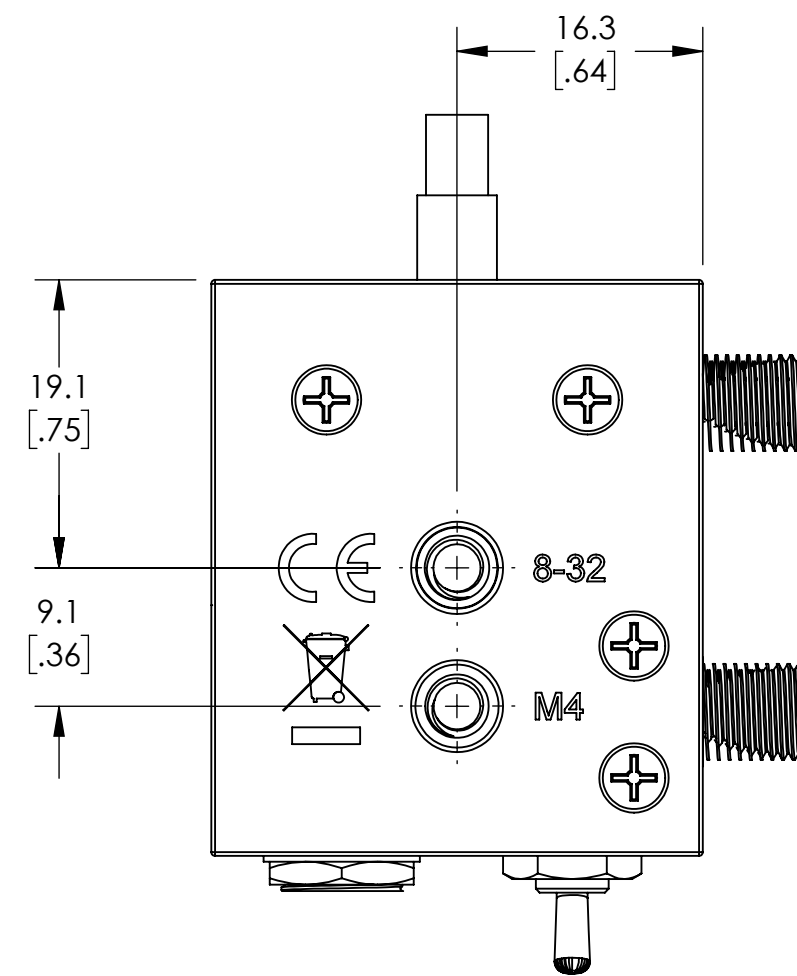
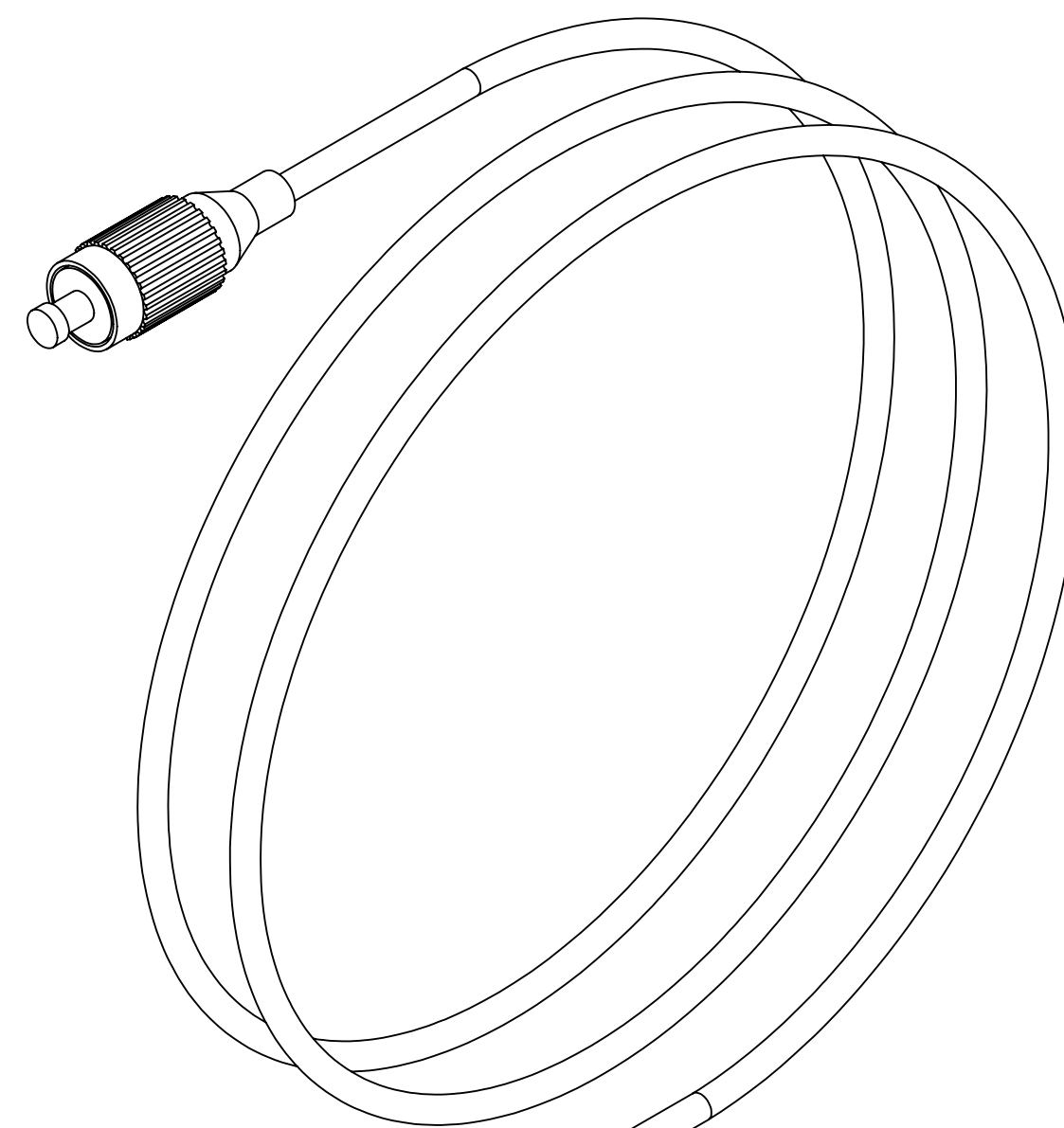
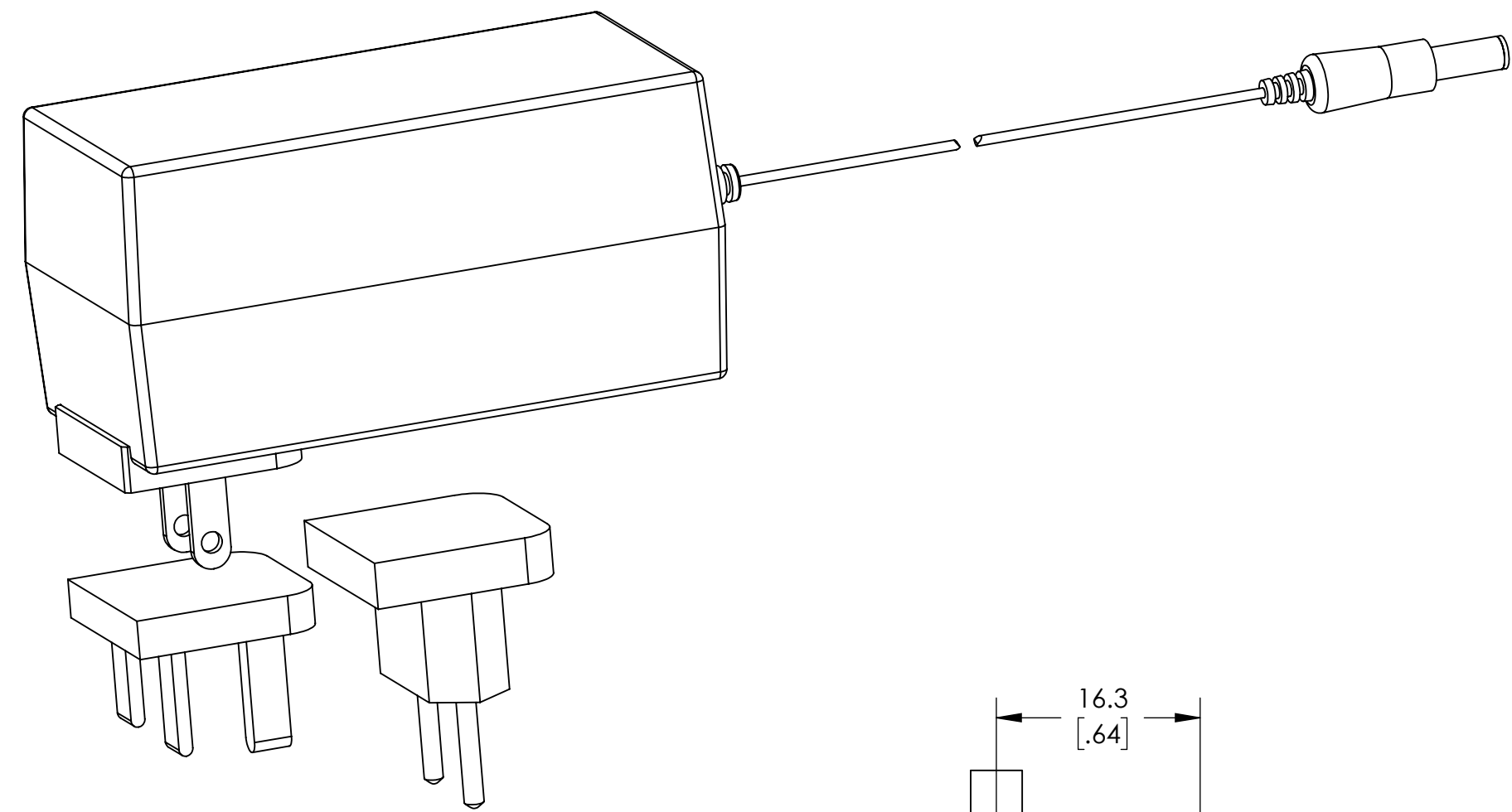


| REVISIONS |     |      |             |         |          |
|-----------|-----|------|-------------|---------|----------|
| ZONE      | ECN | REV. | DESCRIPTION | DATE    | APPROVED |
|           |     | A    | RELEASED    | 7/18/17 |          |



| APPROVED FOR MANUFACTURE |  |
|--------------------------|--|
| NAME                     |  |
| TITLE                    |  |
| COMPANY                  |  |
| DATE                     |  |
| SIGNATURE                |  |

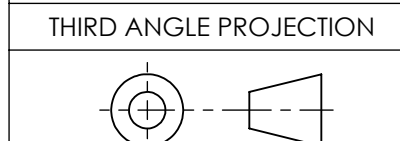
**PRODUCT SPECIFICATIONS:**

NOTE: ALL DIMENSIONS ARE FOR REFERENCE ONLY

- PERFORMANCE PER 113-00070 SPECIFICATION. IN THE EVENT OF CONFLICTING INFORMATION, THIS DRAWING OVERRIDES SPECIFICATION 113-00070.

NOTICE OF PROPRIETARY RIGHTS: The technical data and/or computer software embodies confidential data including TRADE SECRETS proprietary to Electro-Optics Technology, Inc. Disclosure of this data to you is expressly conditioned upon your assent that it will be limited to use within your company or the Government, for non-competitive purposes. If will sell further to be discussed, and that you will take affirmative measures to assure such protections. Any contrary use is strictly prohibited without the prior written consent of Electro-Optics Technology, Inc. and would be violation of the Trade Secrets Act. Further, this information is exempt from disclosure under the Freedom of Information Act under section (b) of 5 USC 552.

DIMENSIONS ARE IN MILLIMETERS [INCH]  
 mm .X ±0.3 [XX ±0.1]  
 .XX ±0.13 [XXX ±0.005]  
 .XXX ±0.013 [XXXX ±0.0005]  
 ANGLES: ±0.5°  
 SURFACE FINISH:  
 1.6 RMS MICRON  
 [63 MICRO INCH]



|           | NAME | DATE    |
|-----------|------|---------|
| DRAWN     | JEA  | 4/21/17 |
| CHKD      |      |         |
| ENG       | JW   | 4/21/17 |
| MATERIAL: |      |         |
| FINISH 1: |      |         |
| FINISH 2: |      |         |

**EOT** Electro-Optics Technology, Inc.

NAME: DETECTOR, AMP, GaAs, >10GHz, FC  
 CUSTOMER INTERFACE DRAWING

SIZE: D SCALE: 2:1 SHEET 1 OF 1

DRAWING NO. 120-10077-0001

REV: A